



1-1/2 H.P. DUST COLLECTOR

Recolector de polvo
de 1-1/2 H.P.

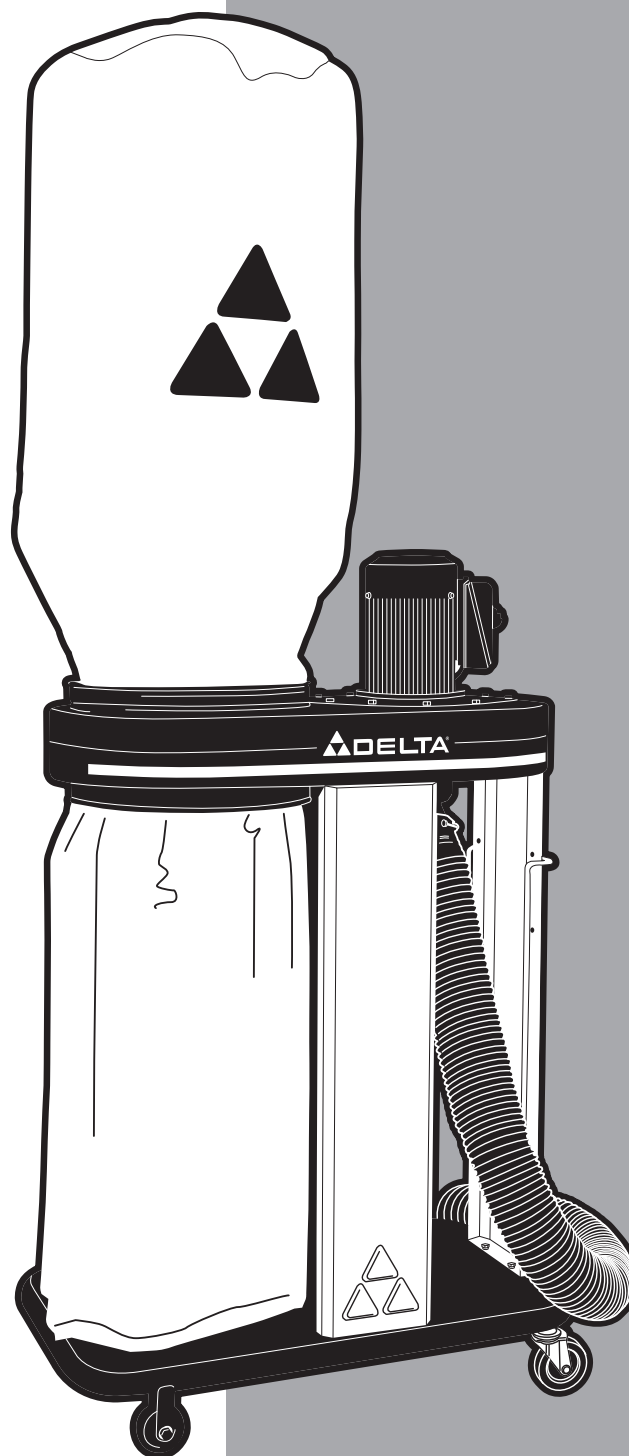
1-1/2 H.P.
Dépoussiéreur

Français (17)
Español (33)

www.deltaportercable.com

Instruction manual
Manuel d'utilisation
Manual de instrucciones

INSTRUCTIVO DE OPERACIÓN, CENTROS
DE SERVICIO Y PÓLIZA DE GARANTÍA.
▲ ADVERTENCIA: LÉASE ESTE INSTRUCTIVO
ANTES DE USAR EL PRODUCTO.



50-786

TABLE OF CONTENTS

IMPORTANT SAFETY INSTRUCTIONS	2	MAINTENANCE	14
SAFETY GUIDELINES - DEFINITIONS	2	SERVICE.....	15
FUNCTIONAL DESCRIPTION	6	ACCESSORIES.....	16
CARTON CONTENTS.....	6	WARRANTY	16
ASSEMBLY	7	FRANÇAIS.....	17
OPERATION	13	ESPAÑOL	33
TROUBLESHOOTING	14		

IMPORTANT SAFETY INSTRUCTIONS

⚠ WARNING: Read all warnings and operating instructions before using any tool or equipment. When using tools or equipment, basic safety precautions should always be followed to reduce the risk of personal injury. Improper operation, maintenance or modification of tools or equipment could result in serious injury and property damage. There are certain applications for which tools and equipment are designed. This product should NOT be modified and/or used for any application other than for which it was designed.



If you have any questions relative to its application DO NOT use the product until you have written DELTA Machinery and we have advised you. Contact us online at www.deltaportercable.com or by mail at End User Services, DELTA Machinery, 4825 Highway 45 North, Jackson, Tennessee 38305. In Canada, 125 Mural St. Suite 300, Richmond Hill, ON, L4B 1M4)

Information regarding the safe and proper operation of this tool is available from the following sources:

- Power Tool Institute, 1300 Sumner Avenue, Cleveland, OH 44115-2851 or online at www.powertoolinstitute.com
- National Safety Council, 1121 Spring Lake Drive, Itasca, IL 60143-3201
- American National Standards Institute, 25 West 43rd Street, 4 floor, New York, NY 10036 www.ansi.org - ANSI 01.1 Safety Requirements for Woodworking Machines
- U.S. Department of Labor regulations www.osha.gov

SAVE THESE INSTRUCTIONS!

SAFETY GUIDELINES - DEFINITIONS

It is important for you to read and understand this manual. The information it contains relates to protecting YOUR SAFETY and PREVENTING PROBLEMS. The symbols below are used to help you recognize this information.

⚠ DANGER: indicates an imminently hazardous situation which, if not avoided, will result in death or serious injury.

⚠ WARNING: indicates a potentially hazardous situation which, if not avoided, could result in death or serious injury.

⚠ CAUTION: Indicates a potentially hazardous situation which, if not avoided, may result in minor or moderate injury.

NOTICE : indicates a practice not related to personal injury which, if not avoided, may result in property damage.

IMPORTANT SAFETY INSTRUCTIONS

When using the dust collector, basic precautions should always be followed, including the following:

READ ALL INSTRUCTIONS BEFORE USING DUST COLLECTOR

⚠ DANGER To reduce the risk of fire, electric shock, or injury:

⚠ DANGER FIRE AND EXPLOSION HAZARD. Do not use this unit to filter metal dust. Combining wood and metal dust can create an explosion or fire hazard. This unit is intended to filter non-explosive atmospheres only.

⚠ WARNING: FIRE AND EXPLOSION HAZARD. Do not use this unit to dissipate fumes or smoke. Explosions or fire can result. This dust collector is intended for use where only dry airborne dust is present. Its use should be limited to non-explosive, non-metallic atmospheres.

⚠ WARNING: FIRE AND EXPLOSION HAZARD. Do not use the dust collector to pick up flammable liquids such as gasoline. Do not use the dust collector near flammable or combustible liquids. Explosion and/or fire can occur.

⚠ WARNING: FIRE HAZARD. When using this dust collector, do not pick up anything that is burning, smoldering, or smoking (matches, cigarettes, or hot ashes).

⚠ WARNING: EXPLOSION HAZARD. Do not use this unit to vacuum combustible explosive materials (coal, grain, or other finely-divided combustible material).

⚠ WARNING: HEALTH HAZARD. Do not use this unit to vacuum hazardous, toxic, or carcinogenic materials (asbestos, pesticide, or lead-based paint debris).

- **Do not leave dust collector when plugged in.** Unplug from outlet when not in use and before servicing.
 - **⚠ WARNING:** To reduce the risk of electric shock, do not use outdoors or on wet surfaces.
 - **Do not allow to be used as a toy.** Close attention is necessary when used by or near children.
 - **Use only as described in this manual.** Use only manufacturer's recommended attachments.
 - **Do not use with damaged cord or plug.** If dust collector is not working as it should, has been dropped, damaged, left outdoors, or dropped into water, return it to a service center.
 - **Do not pull or carry by cord, use cord as a handle, close a door on cord, or pull cord around sharp edges or corners.** Do not run dust collector over cord. Keep cord away from heated surfaces.
 - **Do not unplug by pulling on cord.** To unplug, grasp the plug, not the cord.
 - **Do not handle plug or dust collector with wet hands.**
 - **Do not put any object into openings.** Do not use with any opening blocked; keep free of dust, lint, hair, and anything that may reduce air flow.
 - **Keep hair, loose clothing, fingers, and all parts of body away from openings and moving parts.**
 - **Turn off all controls before unplugging.**
 - **Do not operate this unit until it is completely assembled and installed according to the instructions.** A unit incorrectly assembled can cause injury.
 - **Obtain advice from your supervisor, instructor, or another qualified person if you are not thoroughly familiar with the operation of this unit.** Knowledge is safety
 - **Follow all wiring codes and recommended electrical connections to prevent electrical shock or electrocution.**
 - **Do not pull this unit by the power cord. Do not allow the power cord to come in contact with sharp instruments or edges, hot surfaces, or oil or grease.** Do not place any weight on top of the power cord. A damaged power cord can cause electrical shock or electrocution.
 - **Maintain the unit in top condition.** Keep fan area clean for best and safest performance. Clogged filters can increase the potential for fire or explosion. Follow all instructions for changing and cleaning filters. Also, ensure that the intake and exhaust areas are clear prior to starting the unit. Clogged intakes or exhausts can cause an explosion and/or fire.
 - **Keep arms, hands, and fingers away from the fan.** Avoid all exposure to rotating parts to prevent injury.
 - **Do not operate this unit without the dust collection bag in place and properly secured.** Sawdust and other debris can provide the potential for fire and/or explosion and can also cause inhalation problems.
 - **Static shocks are possible in dry areas or when the relative humidity of the air is low.** This is only temporary and does not affect the use of the vacuum. To reduce the frequency of static shocks, add moisture to the air with a console or installed humidifier.
 - **To avoid spontaneous combustion, empty dust collection bag after each use.**
 - **Inspect the dust bag for cuts, rips, or tears.** Replace damaged bags or vacuum hoses. Sawdust and other debris can provide the potential for fire and/or explosion and can also cause inhalation problems.
 - **Do not attempt to remove or replace the dust collection bag(s) while the unit is connected to the power source.** Exposed fan blades can cause severe injuries.
 - **Store this unit in a location that eliminates the potential for damage to the power cord.** A damaged power cord can cause shock or electrocution. Safely store power cord on the unit to eliminate tripping hazards.
 - **⚠ DANGER SEVERE LACERATION HAZARD.** Turn the unit "OFF," disconnect the unit from the power source and wait 2-1/2 minutes to allow time for internal rotating components to stop before installing or removing accessories, before adjusting or changing set-ups, clearing clogs or when making repairs. An accidental start-up can cause serious injury.
 - **Turn the unit "OFF", disconnect the unit from the power source, and clean the work area before leaving the area.**
 - **Do not place open end of dust collection hose anywhere near the eyes or ears while operating.**
 - **Keep your work area clean and well lit.** Cluttered benches and dark areas invite accidents.
 - **Avoid body contact with grounded surfaces such as pipes, radiators, ranges and refrigerators.** There is an increased risk of electric shock if your body is grounded.
 - **Some wood contains preservatives which can be toxic.** Take extra care to prevent inhalation and skin contact when working with these materials. Request and follow any safety information available from your material supplier.
- ⚠ WARNING:** Always use eye protection. All users and bystanders must wear eye protection that conforms to ANSI Z87.1.
- ⚠ WARNING:** Always wear proper personal hearing protection that conforms to ANSI S12.6 (S3.19) during use. Under some conditions and duration of use, noise from this product may contribute to hearing loss.
- ⚠ WARNING:** ALWAYS use safety glasses. Everyday eyeglasses are NOT safety glasses. Also use face or dust mask if cutting operation is dusty. ALWAYS WEAR CERTIFIED SAFETY EQUIPMENT:
- ANSI Z87.1 eye protection (CAN/CSA Z94.3),
 - ANSI S12.6 (S3.19) hearing protection,
 - NIOSH/OSHA/MSHA respiratory protection.
- ⚠ WARNING:** This product contains chemicals, including lead, known to the State of California to cause cancer, and birth defects or other reproductive harm. Wash hands after handling.
- ⚠ WARNING:** Some dust contains chemicals known to the State of California to cause cancer, birth defects or other reproductive harm. Some examples of these chemicals are:
- compounds in fertilizers
 - compounds in insecticides, herbicides and pesticides
 - arsenic and chromium from chemically-treated lumber.
- To reduce your exposure to these chemicals, wear approved safety equipment such as dust masks that are specially designed to filter out microscopic particles.

SAVE THESE INSTRUCTIONS.

Refer to them often and use them to instruct others.

POWER CONNECTIONS

A separate electrical circuit should be used for your machines. A suitable circuit should not be less than AWG12/3 wiring where the ground wire is attached to an earth ground. The circuit should be protected by a circuit breaker or time delay fuse. **NOTE:** Time delay fuses should be marked “D” in Canada and “T” in the US. If an extension cord is used, use only 3-wire extension cords which have 3-prong grounding type plugs and matching receptacle which will accept the machine’s plug. Before connecting the machine to the power line, make sure the switch (s) is in the “OFF” position and be sure that the electric current is of the same characteristics as indicated on the machine. All line connections should make good contact. Running on low voltage will damage the machine.

⚠ DANGER SHOCK HAZARD. Do not expose the machine to rain or operate the machine in damp locations.

VOLTAGE AND CIRCUIT PROTECTION

Specifications

Voltage	120/240	Hertz.....	60
Phase	Single	Minimum Branch Circuit Requirement	15 Amps
Fuse Type.....	Time Delay		

⚠ CAUTION: Risk of Overheating. Certain electric motors can be operated on a 15 amp circuit if the following conditions are met.

- Voltage supply to circuit must comply with the National Electrical Code.
- Circuit is not used to supply any other electrical needs.
- Extension cords comply with specifications.
- Circuit is equipped with a 15 amp circuit breaker or 15 amp time delay fuse. **NOTE:** If the motor is connected to a circuit protected by fuses, use only time delay fuses. Time delay fuses should be marked “D” in Canada and “T” in the U.S.

If any of the above conditions cannot be met, or if operation of the electric motor repeatedly causes interruption of the power, it may be necessary to operate it from a 20 amp circuit. It is not necessary to change the cord set.

MOTOR SPECIFICATIONS

Your machine is wired for 120/240 volt, 60 HZ alternating current. Before connecting the machine to the power source, make sure the switch is in the “OFF” position.

GROUNDING INSTRUCTIONS

⚠ DANGER SHOCK HAZARD. This machine must be grounded while in use to protect the operator from electric shock.

1. All grounded, cord-connected machines:

In the event of a malfunction or breakdown, grounding provides a path of least resistance for electric current to reduce the risk of electric shock. This machine is equipped with an electric cord having an equipment-grounding conductor and a grounding plug. The plug must be plugged into a matching outlet that is properly installed and grounded in accordance with all local codes and ordinances.

Do not modify the plug provided - if it will not fit the outlet, have the proper outlet installed by a qualified electrician.

Improper connection of the equipment-grounding conductor can result in risk of electric shock. The conductor with insulation having an outer surface that is green with or without yellow stripes is the equipment-grounding conductor. If repair or replacement of the electric cord or plug is necessary, do not connect the equipment-grounding conductor to a live terminal.

Check with a qualified electrician or service personnel if the grounding instruction are not completely understood, or if in doubt as to whether the machine is properly grounded.

Use only 3-wire extension cords that have 3-prong grounding type plugs and matching 3-conductor receptacles that accept the machine’s plug, as shown in Fig. A.

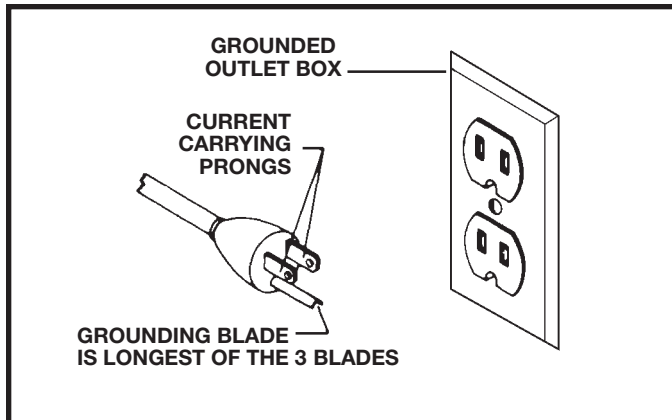


FIG. A

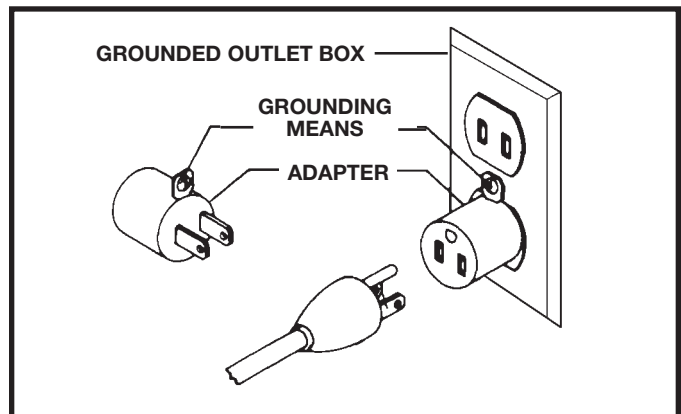


FIG. B

Repair or replace damaged or worn cord immediately.

2. Grounded, cord-connected machines intended for use on a supply circuit having a nominal rating less than 150 volts:

If the machine is intended for use on a circuit that has an outlet that looks like the one illustrated in Fig. A, the machine will have a grounding plug that looks like the plug illustrated in Fig. A. A temporary adapter, which looks like the adapter illustrated in Fig. B may be used to connect this plug to a matching 2-conductor receptacle as shown in Fig. B, if a properly grounded outlet is not available. The temporary adapter should be used only until a properly grounded outlet can be installed by a qualified electrician. The green-colored rigid ear, lug, and the like, extending from the adapter must be connected to a permanent ground such as a properly grounded outlet box. Whenever the adapter is used, it must be held in place with a metal screw.

NOTE: In Canada, the use of a temporary adapter is not permitted by the Canadian Electric Code.

⚠ DANGER SHOCK HAZARD. In all cases, make certain that the receptacle in question is properly grounded. If you are not sure, have a qualified electrician check the receptacle.

3. 240 volt single phase operation:

The motor supplied with your machine is a dual voltage, 120/240 volt motor. It is shipped ready-to-run for 120 volt operation. However, it can be converted for 240 volt operation.

A qualified electrician should do the conversion, or the machine can be taken to an Authorized DELTA Service Center. When completed, the machine must conform to the National Electric Code and all local codes and ordinances.

The machine is converted by re-wiring the motor for 240 volts and installing a 240 volt plug on the power supply cord.

Be sure the 240 volt plug is only used in an outlet having the same configuration as the plug illustrated in Fig. C. No adapter should be used with the 240 volt plug.

⚠ WARNING: SHOCK HAZARD. In all cases, make certain that the receptacle in question is properly grounded. If you are not sure, have a qualified electrician check the receptacle.

EXTENSION CORDS

⚠ WARNING: Use proper extension cords. Make sure your extension cord is in good condition and is a 3-wire extension cord which has a 3-prong grounding type plug and matching receptacle which will accept the machine's plug. When using an extension cord, be sure to use one heavy enough to carry the current of the machine. An undersized cord will cause a drop in line voltage, resulting in loss of power and overheating. Fig. D-1 or D-2, shows the correct gauge to use depending on the cord length. If in doubt, use the next heavier gauge. The smaller the gauge number, the heavier the cord.

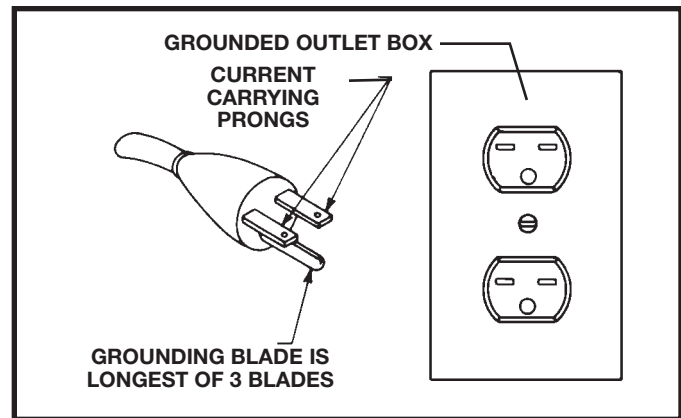


FIG. C

MINIMUM GAUGE EXTENSION CORD			
RECOMMENDED SIZES FOR USE WITH STATIONARY ELECTRIC MACHINES			
Ampere Rating	Volts	Total Length of Cord in Feet	Gauge of Extension Cord
0-6	120	up to 25	18 AWG
0-6	120	25-50	16 AWG
0-6	120	50-100	16 AWG
0-6	120	100-150	14 AWG
6-10	120	up to 25	18 AWG
6-10	120	25-50	16 AWG
6-10	120	50-100	14 AWG
6-10	120	100-150	12 AWG
10-12	120	up to 25	16 AWG
10-12	120	25-50	16 AWG
10-12	120	50-100	14 AWG
10-12	120	100-150	12 AWG
12-16	120	up to 25	14 AWG
12-16	120	25-50	12 AWG
12-16	120	GREATER THAN 50 FEET NOT RECOMMENDED	

Fig. D-1

MINIMUM GAUGE EXTENSION CORD			
RECOMMENDED SIZES FOR USE WITH STATIONARY ELECTRIC MACHINES			
Ampere Rating	Volts	Total Length of Cord in Feet	Gauge of Extension Cord
0-6	240	up to 50	18 AWG
0-6	240	50-100	16 AWG
0-6	240	100-200	16 AWG
0-6	240	200-300	14 AWG
6-10	240	up to 50	18 AWG
6-10	240	50-100	16 AWG
6-10	240	100-200	14 AWG
6-10	240	200-300	12 AWG
10-12	240	up to 50	16 AWG
10-12	240	50-100	16 AWG
10-12	240	100-200	14 AWG
10-12	240	200-300	12 AWG
12-16	240	up to 50	14 AWG
12-16	240	50-100	12 AWG
12-16	240	GREATER THAN 50 FEET NOT RECOMMENDED	

Fig. D-2

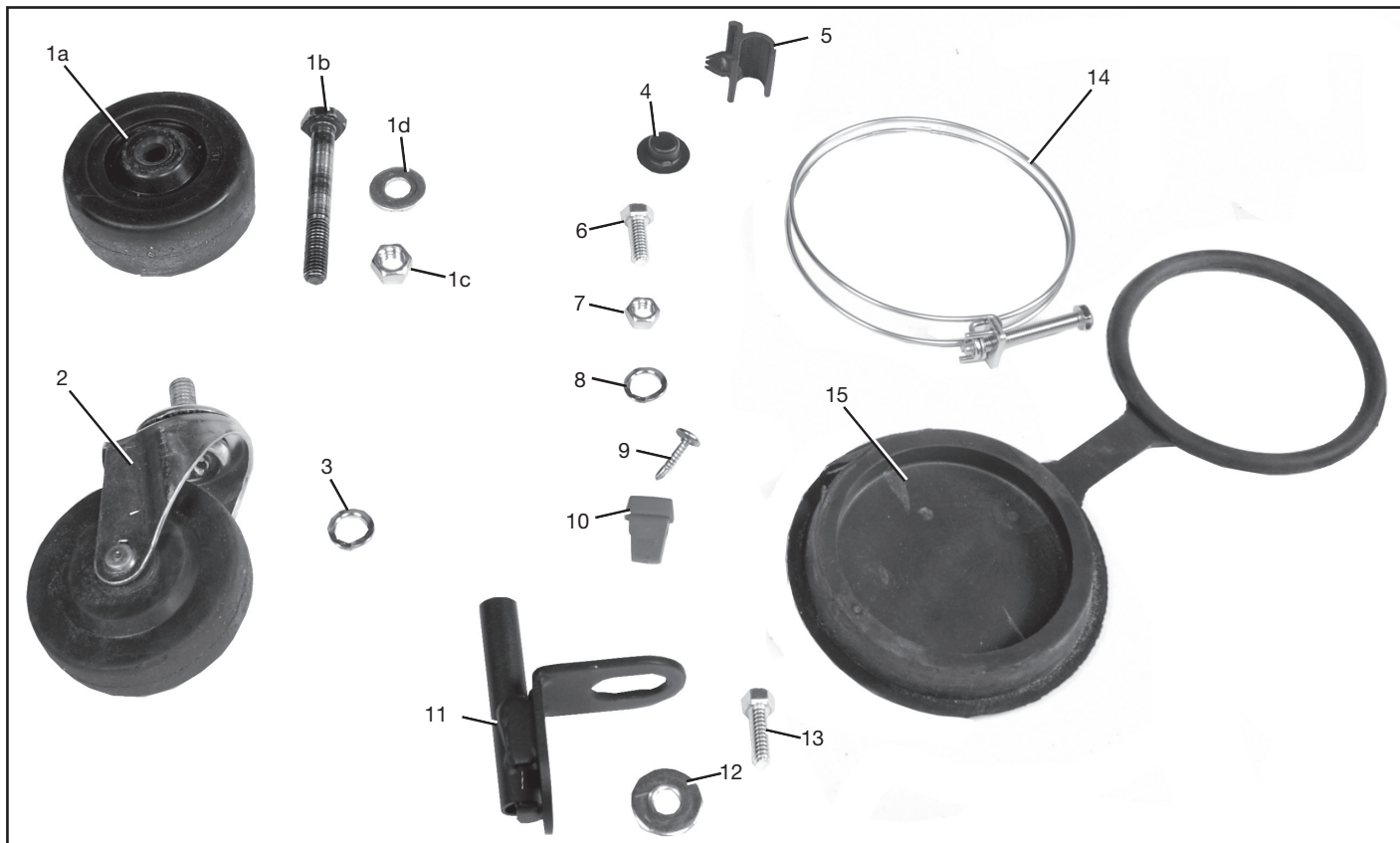
FUNCTIONAL DESCRIPTION

FOREWORD

The DELTA Industrial Model 50-786 Dust Collector will connect to woodworking machines that accept a 4" (101.6 mm) diameter hose. The 50-786 comes with one 1 micron filter bag and two 6 mil plastic collection bag, and a 4" (101.6 mm) x 5' (152.4 cm) collection hose.

NOTICE: The manual cover illustrates the current production model. All other illustrations contained in the manual are representative only and may not depict the actual labeling or accessories included. These are intended to illustrate technique only.

CARTON CONTENTS



- | | | |
|---|---|--|
| 1. a. Fixed wheels | 3. 3/8" Lock washers (2) | 8. 5/16" Lock washers (20) |
| b. 3/8" x 2-1/2" (63.5 mm) Hex head bolts (2) | 4. Retaining nuts (2) | 9. #8 x 3/4" (19 mm) Self-tap sheet metal screws (4) |
| c. 3/8" Lock nuts (2) | 5. Handle retaining clips (2) | 10. Switch Toggle |
| d. 3/8" Flat washers (4) | 6. 5/16" x 3/4" (19 mm) Hex head bolts (20) | 11. Bracket for bag hanging rod |
| 2. Wheel casters (2) | 7. 5/16" Hex nuts (14) | 12. Large OD 5/16" flat washer |



- | |
|--|
| 13. 5/16" x 1" (25.4 mm) hex head bolt |
| 14. Hose clamp (2) |
| 15. Dust intake cap and ring (2) |
| 16. Motor and blower assembly |
| 17. Base |
| 18. Hose |
| 19. Handle |
| 20. Intake adapter |
| 21. Side and front panels (3) |
| 22. Cross panel (2) |
| 23. Lower bag (2) |
| 24. Cloth-covered bag retainer ring |
| 25. Upper bag |

UNPACKING AND CLEANING

Carefully unpack the machine and all loose items from the shipping container(s). Remove the rust-preventative oil from unpainted surfaces using a soft cloth moistened with mineral spirits, paint thinner or denatured alcohol.

NOTICE: Do not use highly volatile solvents such as gasoline, naphtha, acetone or lacquer thinner for cleaning your machine.

After cleaning, cover the unpainted surfaces with a good quality household floor paste wax.

ASSEMBLY

⚠ WARNING: To reduce the risk of injury, turn unit off and disconnect it from power source before installing and removing accessories, before adjusting or when making repairs. An accidental start-up can cause injury

ASSEMBLY TOOLS REQUIRED

Cross head screw driver (not supplied)

12 mm and other open-end or socket wrenches (not supplied)

ASSEMBLING WHEELS TO BASE

CASTERS (FIG. 1, 2)

1. Place 3/8" lockwasher (A) onto stud of caster (C).
2. Insert caster stud into threaded hole in the base — one shown at (D) — and tighten.
3. Tighten base of caster with wrench or needle-nose pliers, as shown in Figure 2.
4. Repeat for other caster.

FIXED WHEELS (FIG. 3, 4)

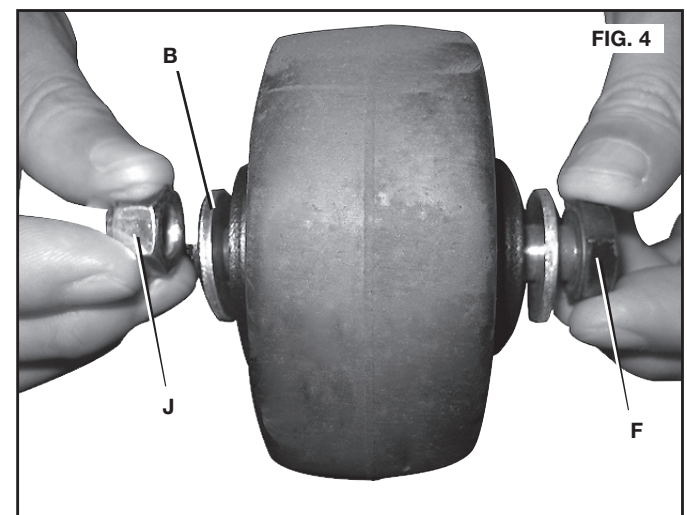
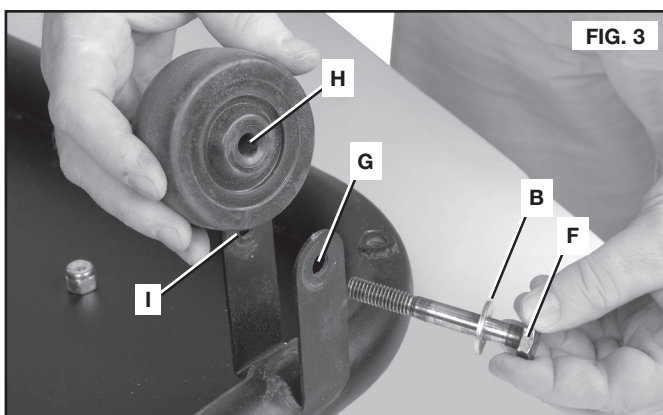
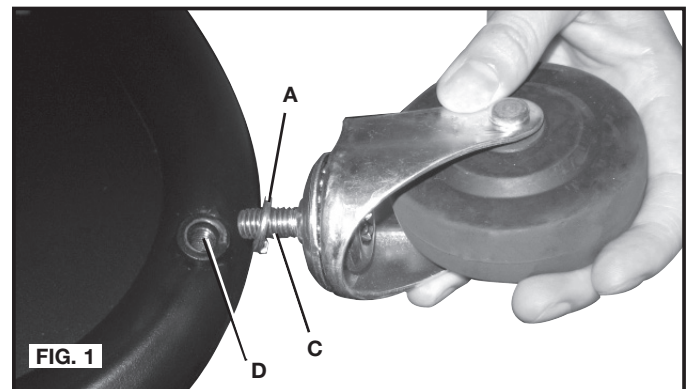
1. Place 3/8" flat washer (B) on a 3/8" x 2-1/2" (63.5 mm) hex head bolt (F).
2. Insert hex head bolt through hole (G) in wheel mount bracket, through center hole (H) of wheel and through other hole (I) in wheel mount bracket.
3. Place 3/8" flat washer (B) and 3/8" lock nut (J) onto hex head bolt (F) and tighten.

NOTE: Do not overtighten lock nut (J) onto the bolt (F). Be sure wheel is still free to rotate.

4. Repeat for other fixed wheel.

ASSEMBLY TIME ESTIMATE

Assembly for this machine takes approximately 1 hour.



ATTACH SIDE PANELS TO BASE (FIG. 5-8)

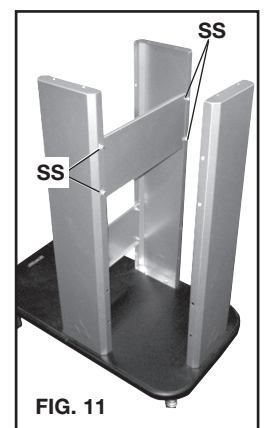
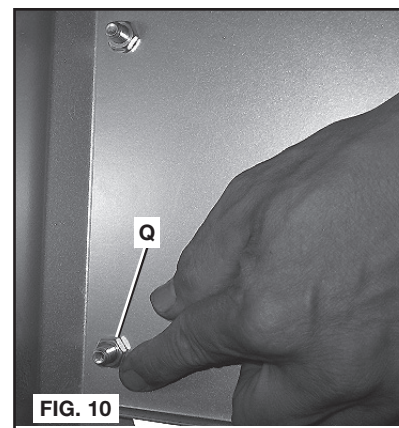
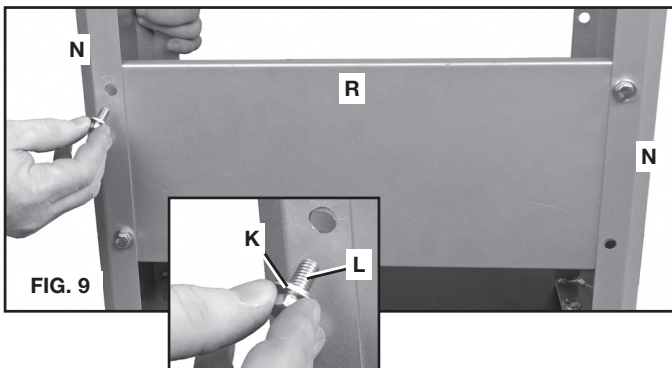
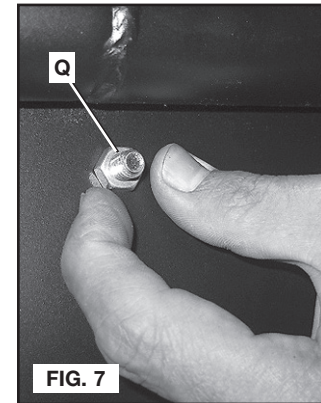
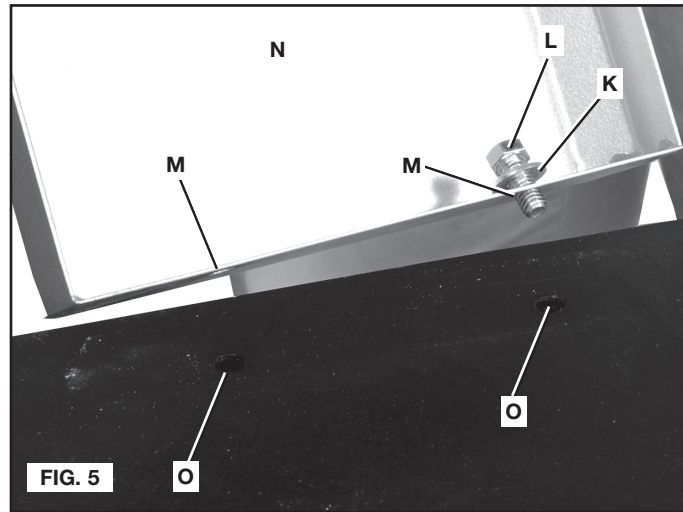
1. Place 5/16" lock washer (K) on 5/16" x 3/4" (19 mm) hex head bolt (L).
2. Line up holes (M) in side panel (N) with holes (O) in base plate.
NOTE: Be sure side panel is oriented as shown in Figure 6.
3. Place hex head bolt and washer assembly through hole (M) in the side panel and and hole (O) in base.
4. From underneath the base secure side panel to base using a 5/16" hex nut (Q).
5. Repeat for other hole in side panel and base.
6. Repeat above steps for the other side panel. The two panels are shown correctly assembled in Figure 8.

NOTE: FASTEN ALL HARDWARE HAND TIGHT ONLY AT THIS POINT. Hardware will be tightened later in a certain order.

ATTACH CROSS PANELS TO SIDE PANELS (FIG. 9, 10)

1. Place 5/16" lock washer (K) (inset) on a 5/16" x 3/4" (19 mm) hex head bolt (L).
2. Line up four holes of cross panel (R) with four lower holes in side panels (N).
3. Insert hex head bolt and washer assembly - (L) and (K) (inset) - through holes in side panels (N) and then through holes in cross panel (R).
4. Attach cross panel to side panel using 5/16" hex nut (Q).
5. Assembled cross panel is shown in Figure 11.
6. Assemble top cross panel in the same manner at holes (SS).

NOTE: FASTEN ALL HARDWARE HAND TIGHT ONLY AT THIS POINT. Hardware will be tightened later in a certain order.



ATTACH FRONT PANEL TO BASE (FIG. 12-15)

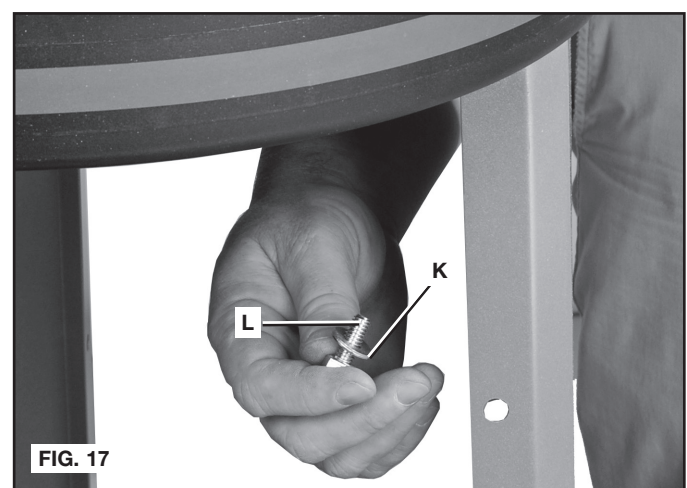
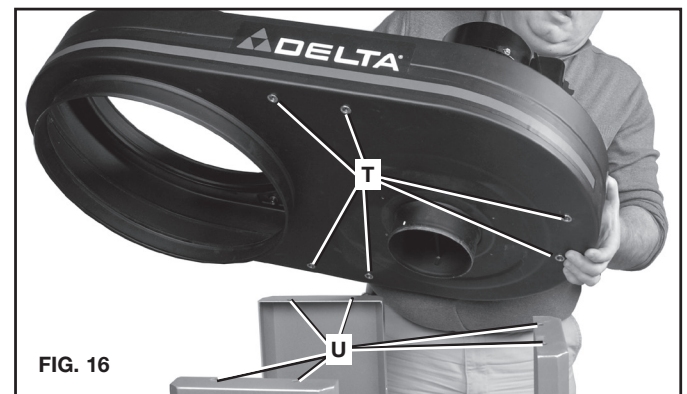
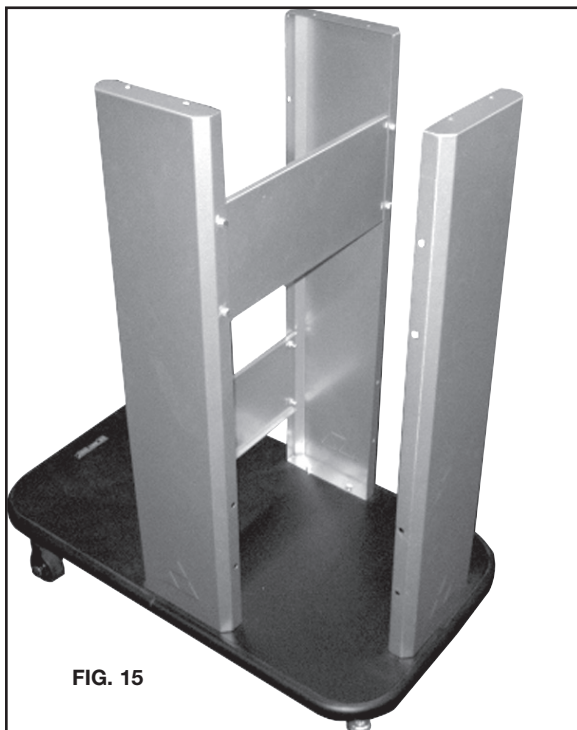
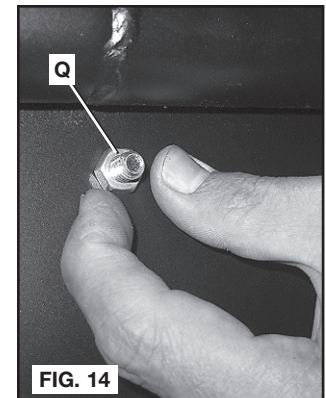
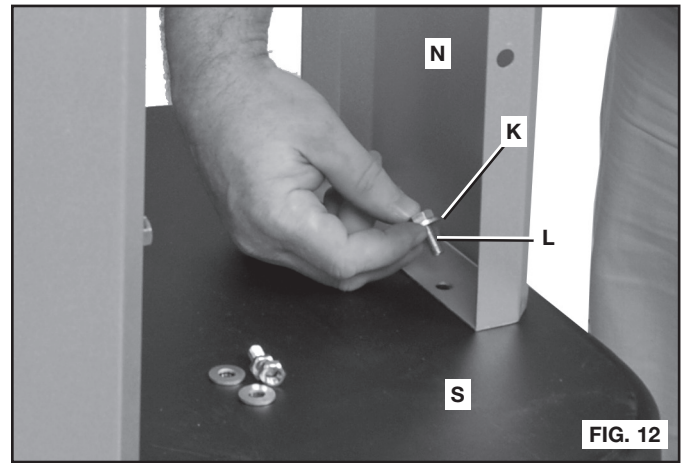
1. Place 5/16" lock washer (K) on 5/16" x 3/4" (19 mm) hex head bolt (L).
2. Line up holes in front panel (N) with holes in base plate (S), as shown in Figure 12.
NOTE: Be sure front panel is oriented as shown in Figure 13.
3. Place hex head bolt and washer assembly through holes in front panel (N) and base plate (S).
4. From underneath the base secure front panel to base using a 5/16" hex nut (Q).
5. Repeat for other hole in front panel and base.
6. The front and side panels are shown correctly assembled in Figure 15.

NOTE: FASTEN ALL HARDWARE HAND TIGHT ONLY AT THIS POINT. Hardware will be tightened later in a certain order.

ATTACH MOTOR/BLOWER TO STAND (FIG. 16, 17)

1. Place motor/blower housing on top of stand. Align holes (T) in the housing with holes (U) in the stand.
2. Place 5/16" lock washer (K) on 5/16" x 3/4" (19 mm) hex head bolt (L).
3. Insert this washer/bolt assembly up through holes (U) in stand and insert bolt into the threaded holes (T) of the motor/blower housing. Hand tighten only.
4. Repeat for five remaining holes.

NOTE: FASTEN ALL HARDWARE HAND TIGHT ONLY AT THIS POINT. Hardware will be tightened later in a certain order.



TIGHTEN ALL HARDWARE IN SEQUENCE (FIG. 18, 19)

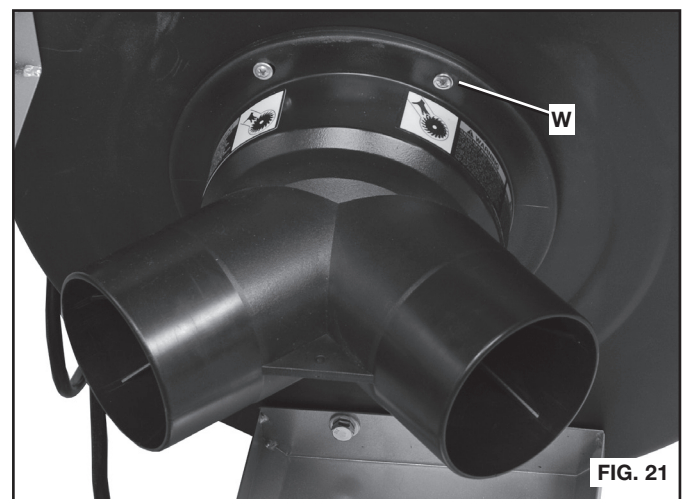
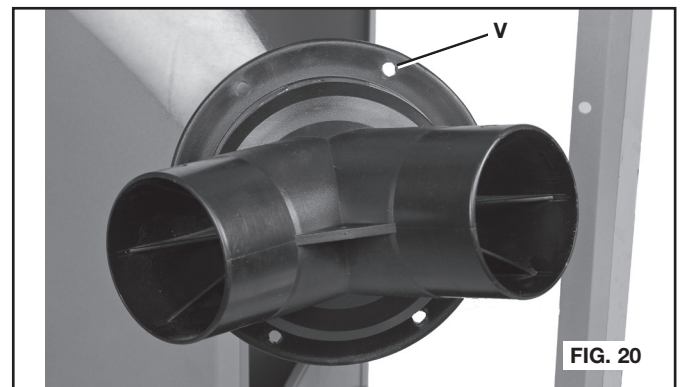
Using a 12 mm wrench (not included), tighten hardware in this order:

1. Tighten six bolts on motor/blower housing.
2. Tighten all six bolts that attach the side and front panels to the base.
3. Tighten four bolts that attach the cross panel to the side panels.



INSTALL INTAKE ADAPTER (FIG. 20, 21)

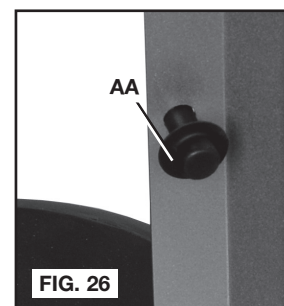
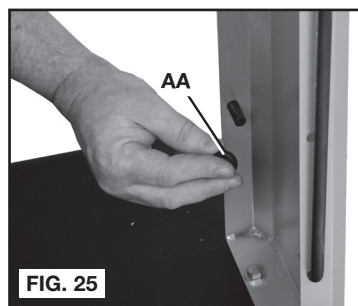
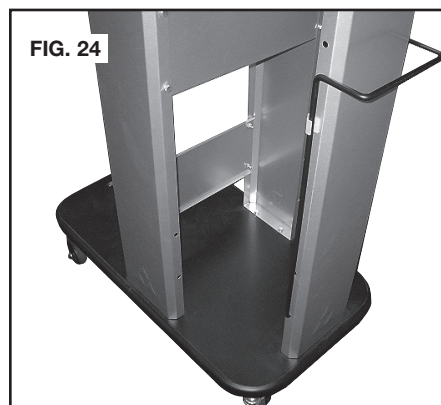
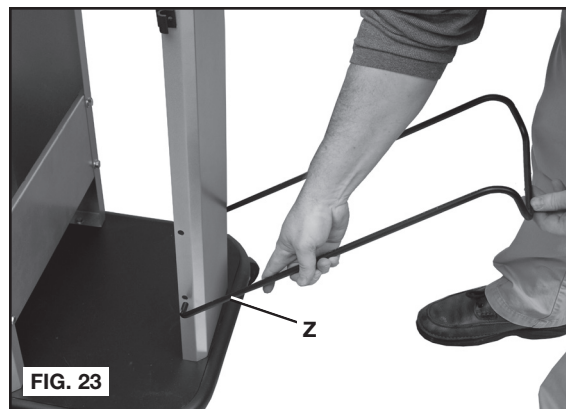
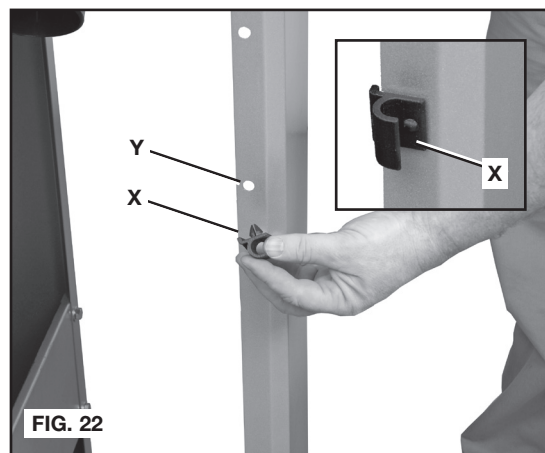
Align four holes — one shown at (V) — in intake adapter with the four holes — one shown at (W) — underneath the motor/blower housing. Attach the intake adapter with four #8 self-tapping screws at four holes.



ATTACHING HANDLE (FIG. 22–26)

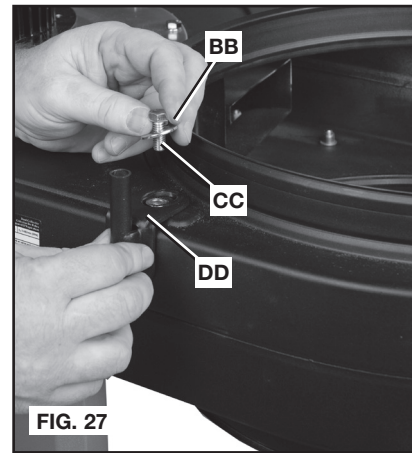
1. Attach handle retaining clip (X) into second hole (Y) from the top of the front panel.
2. Orient the clip (X) as shown in inset, with the opening facing away from the dust collector.
3. Repeat for the other retaining clip on the other side of the front panel.
4. Orient the handle as shown in Figure 23.
5. Place ends of handle (Z) through the lower holes on both sides of the front panel, as shown in Figure 23.
6. Clips should hold handle, as shown in Figure 24.
7. Push the non-removable retaining nuts (AA) firmly onto the ends of the handle that stick inside of the front panel.

NOTE: These nuts (AA) are non-removable. Make sure the handle is properly oriented before installing them.



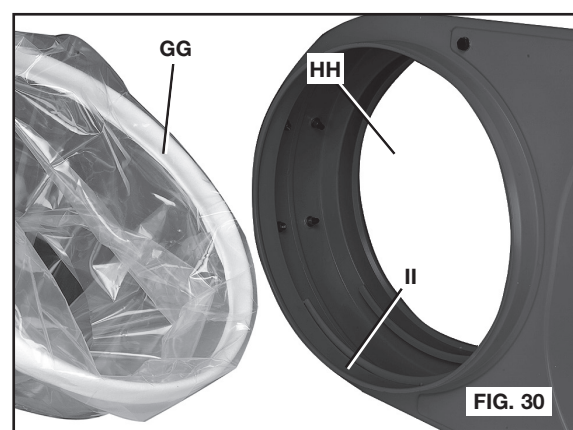
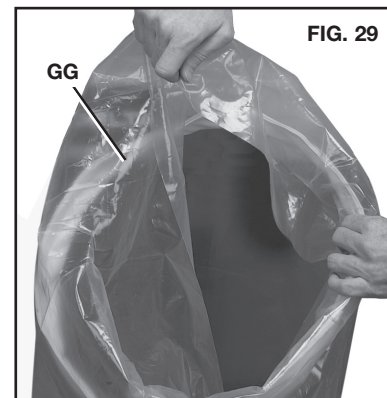
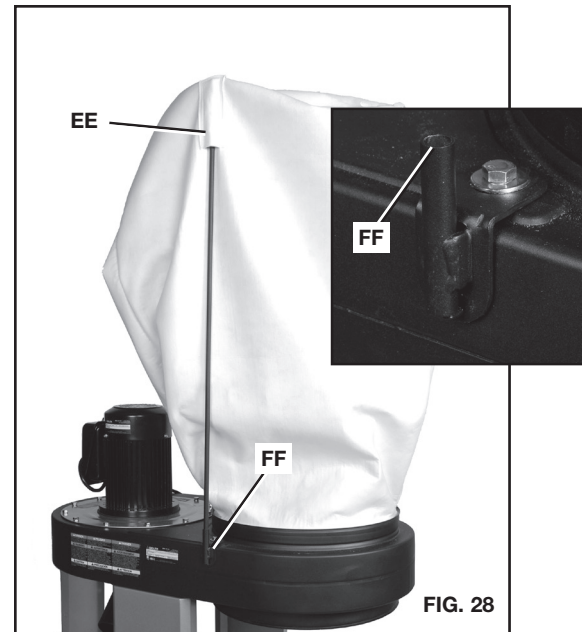
ATTACHING THE TOP FILTER BAG (FIG. 27, 28)

1. Place a large 5/16" flatwasher (BB) on a 5/16" x 1" (25.4 mm) hex head bolt (CC).
2. Position the bracket (DD) on the dust collector.
3. Insert bolt through the hole in the bracket, then thread it into the hole in the dust collector. Tighten securely with a 12 mm wrench.
4. Insert the rod into the pocket (EE) on the filter bag.
6. Insert the rod in the hole in the bracket (FF) (inset).
7. Work the open end of the filter bag into the top groove of the dust collector drum until it is secure and sealed. Bend and fold, as necessary, the internal bag retainer ring to fit it into place.



ATTACHING THE DUST COLLECTION BAG (FIG. 29, 30)

1. Bring the clear plastic dust collection bag up through the middle of the cloth-covered bag retainer ring (GG). Fold about 6" (152.4 mm) of the bag back down around the retainer ring.
2. Place the bag up into in the large hole (HH) in the motor/blower assembly. Fit the retainer ring (GG) into the bottom groove (II). Bend and fold the ring to fit it into place.
3. Tug slightly on the bag to eliminate any slack and to make sure that the bag is secure and will not detach during collection.



ATTACHING THE HOSE TO THE INTAKE PORT (FIG. 31, 32)

Model 50-786 provides two 4" (101.6 mm) dust ports.

If one intake port is unused, seal this open port using the enclosed dust intake cap.

To install dust intake cap:

Place the open end (JJ) of the intake cap rings around and on the end of one dust intake port before attaching the hose to the other. Cover the open intake port with flat intake cap (KK).

To attach the hose:

Loosely attach the hose clamp (LL) around one end of the flexible hose (MM). Attach the hose to the dust intake port (NN) and tighten the hose clamp (LL).

Use the other hose clamp to attach the other end of the flexible hose to the woodworking machine.

NOTE: Do not operate the dust collector with any dust intake port (NN) uncovered.



FIG. 31

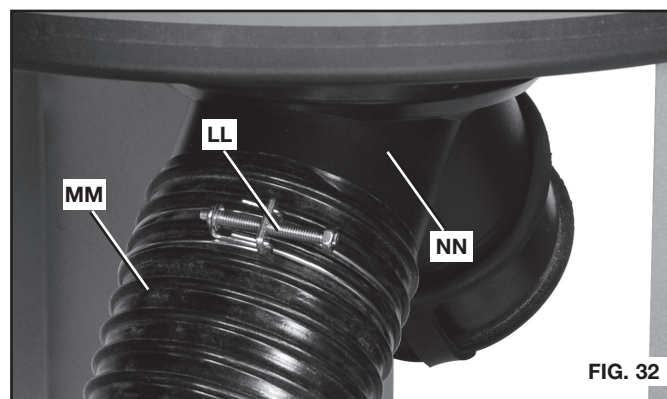


FIG. 32

OPERATION

OPERATIONAL CONTROLS AND ADJUSTMENTS

▲WARNING: For operator safety, make certain the dust intake port is covered with the hose before operating the machine. The rotating fan inside the blower housing is accessible through the dust intake port and is hazardous. Always wear proper apparel. Do not wear jewelry and keep fingers and all foreign objects out of the dust intake port. Always follow the safety rules of this manual.

NOTE: The dust collector is shipped with the safety switch toggle (OO) Fig. 33 removed. The toggle must be inserted into the dust collector switch and the switch placed in the "OFF" position before operation.

Remove sticker (PP) covering the switch before inserting toggle (OO) Fig. 34 into switch (QQ).

STARTING AND STOPPING DUST COLLECTOR (FIG. 33)

▲WARNING: Make sure that the switch is in the "OFF" position before plugging cord into outlet. Do not touch the plug's metal prongs when unplugging or plugging in the cord.

The on/off switch (QQ) is located on the side of the motor. To turn the machine "ON", move the switch up to the "ON" position. To turn the machine "OFF", move the switch down to the "OFF" position.

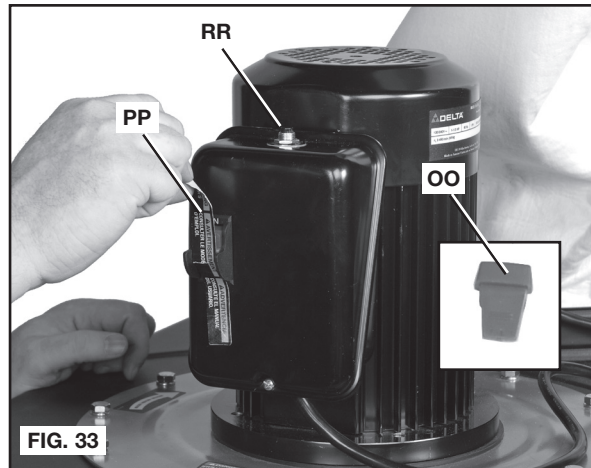


FIG. 33

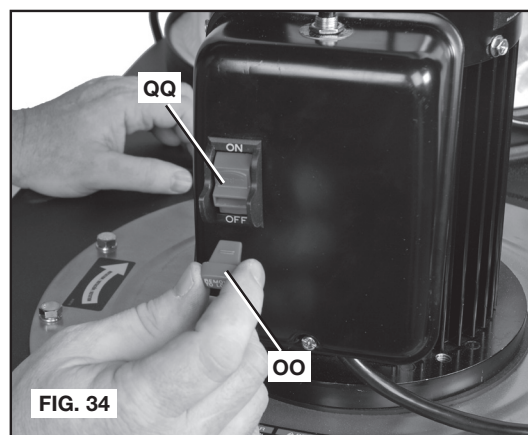


FIG. 34

LOCKING SWITCH IN "OFF" POSITION (FIG. 35, 36)

IMPORTANT: When the machine is not in use, the switch should be locked in the "OFF" position to prevent unauthorized use. To lock the machine, move the switch toggle (OO) to the "OFF" position and pull it out of the switch (QQ) as shown in Figure 36. With the switch toggle (OO) removed, the switch will not operate. However, should the switch toggle be removed while the motor is running, the machine can be turned "OFF," but cannot be restarted without re-inserting the switch toggle (OO).

⚠ WARNING: In the event of a power outage (such as a breaker or fuse trip), always move the switch to the "OFF" position until the main power is restored.

⚠ WARNING: FIRE HAZARD. When using this dust collector, do not pick up anything that is burning, smoldering, or smoking (matches, cigarettes, or hot ashes).

⚠ WARNING: EXPLOSION HAZARD. Do not use this unit to vacuum combustible explosive materials (coal, grain, or other finely-divided combustible material).

⚠ WARNING: HEALTH HAZARD. Do not use this unit to vacuum hazardous, toxic, or carcinogenic materials (asbestos, pesticide, or lead-based paint debris).

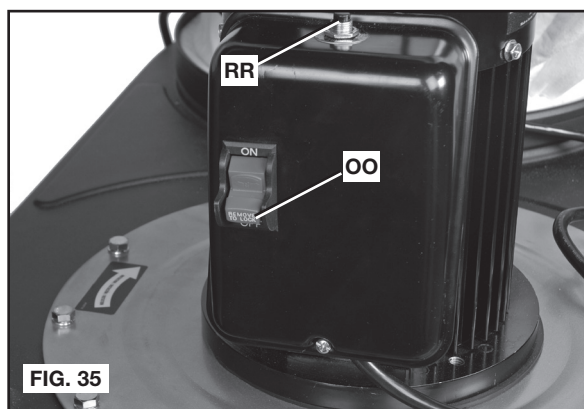


FIG. 35

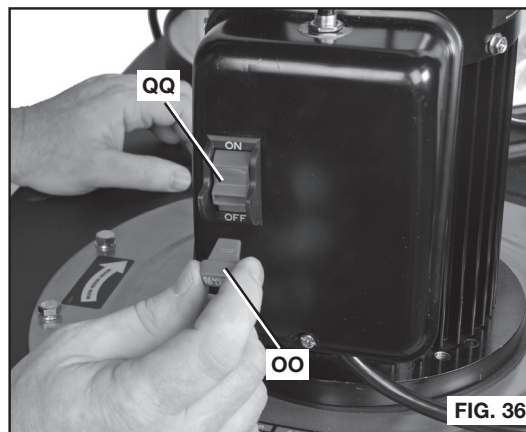


FIG. 36

CIRCUIT BREAKER

Your dust collector motor is supplied with a resettable circuit breaker. If the motor shuts off or fails to start due to an overload condition, turn the dust collector switch "OFF," let the motor cool three to five minutes, and push the reset button (RR) Fig. 35, on the circuit breaker to reset the breaker. The motor can then be turned on again in the usual manner. If the overload continues to trip, visit our website at www.deltamachinery.com for a list of service centers or call the DELTA Machinery help line at (800) 223-7278 (In Canada call (800) 463-3582).

TROUBLESHOOTING

For assistance with your machine, visit our website at www.deltaportercable.com for a list of service centers or call the DELTA Machinery help line at (800) 223-7278 (In Canada call 1-800-463-3582).

MAINTENANCE

⚠ WARNING: To reduce the risk of injury, turn unit off and disconnect it from power source before installing and removing accessories, before adjusting or when making repairs. An accidental start-up can cause injury.

KEEP MACHINE CLEAN

Periodically blow out all air passages with dry compressed air. All plastic parts should be cleaned with a soft damp cloth. NEVER use solvents to clean plastic parts. They could possibly dissolve or otherwise damage the material.

⚠ WARNING: Wear certified safety equipment for eye, hearing and respiratory protection while using compressed air

FAILURE TO START

Should your machine fail to start, check to make sure the prongs on the cord plug are making good contact in the outlet. Also, check for blown fuses or open circuit breakers in the line.

SERVICE

REPLACEMENT PARTS

Use only identical replacement parts. For a parts list or to order parts, visit our website at www.deltaportercableservicenetwork.com. You can also order parts from your nearest factory-owned branch, Authorized Warranty Service Center or by calling End User Services at (800) 223-7278 to receive personalized support from one of our highly-trained representatives.

FREE WARNING LABEL REPLACEMENT

If your warning labels become illegible or are missing, call (800) 223-7278 for a free replacement.

	<p>⚠ WARNING</p> <p>TO REDUCE RISK OF INJURY FROM MOVING PARTS: KEEP HANDS AWAY FROM AIR INLET PORTS. ONLY OPERATE WITH INLET PORTS COVERED WITH CAPS OR CONNECTED TO FLEXIBLE HOSE. IMPELLER CONTINUES TO ROTATE AFTER DUST COLLECTOR IS TURNED OFF. MAKE SURE DUST COLLECTOR IS TURNED OFF, DISCONNECTED FROM POWER SOURCE AND THAT IMPELLER HAS STOPPED ROTATING BEFORE SERVICING OR CLEARING DUST AND CHIPS. DO NOT OPERATE WITHOUT HOSE CONNECTED TO INLET PORT AND BAGS OR CANISTER IN PLACE.</p>	<p>⚠ ADVERTENCIA</p> <p>REDUCE EL RIESGO DE SUFRIR LESIONES CAUSADAS POR LAS PIEZAS MÓVILES. MANTIENE LAS MANOS ALEJADAS DE LOS ORIFICIOS DE ENTRADA DE AIRE. OPERE ÚNICAMENTE CON LOS ORIFICIOS DE ENTRADA CUBIERTOS CON TAPAS O CONECTADOS A UNA MANGUERA FLEXIBLE. EL IMPULSOR CONTINÚA ROTANDO DESPUÉS DE QUE EL RECOLECTOR DE POLVO ESTÁ APAGADO. ASEGÚRESE DE QUE EL COLECTOR ESTE APAGADO, DESCONECTADO DE LA FUENTE DE ALIMENTACIÓN Y DE QUE EL IMPULSOR HAYA PARADO ANTES DE REALIZAR UN MANTENIMIENTO O LIMPIAR EL POLVO Y LAS ASTILLAS. NO OPERE SI LA MANGUERA NO ESTÁ CONECTADA AL ORIFICIO DE ENTRADA O LAS BOLSAS Y LOS DEPÓSITOS NO SE ENCUENTRAN EN SU LUGAR.</p>	<p>⚠ AVERTISSEMENT</p> <p>POUR RÉDUIRE LE RISQUE DE BLESSURES EN LIEN AVEC DES PIÈCES MOBILES: ÉLOIGNER LES MAINS DES ORIFICES D'ADMISSION DE L'AIR. UTILISER UNIQUEMENT AVEC LES ORIFICES D'ADMISSION RECOUVERTS DE CAPUCHONS OU RACCORDES À UN TUYAU FLEXIBLE. L'HELICE POURSUIT SON MOUVEMENT MÊME APRÈS L'ARRÊT DU DÉPOUSSEUR. S'ASSURER QUE LE DÉPOUSSEUR EST HORS TENSION, DÉBRANCHÉ ET QUE L'HELICE EST IMMOBILE AVANT DE DÉBUTER UNE RÉPARATION OU DE RETIRER LA POUSSIÈRE ET LES COPEAUX DE L'APPAREIL. NE PAS FAIRE FONCTIONNER SI LE TUYAU N'EST PAS CONNECTÉ À L'ORIFICE D'ADMISSION ET SI LES SACS OU L'ABSORBEUR NE SONT PAS EN PLACE.</p>
--	--	---	---

<p>⚠ DANGER</p> <p>SEVERE LACERATION HAZARD. DO NOT OPERATE WITHOUT INTAKE ADAPTER IN PLACE.</p>	<p>⚠ PELIGRO</p> <p>PELIGRO DE LACERACIÓN GRAVE. NO OPERE LA UNIDAD SIN EL ADAPTADOR DE ENTRADA EN SU LUGAR.</p>	<p>⚠ DANGER</p> <p>RISQUE DE LACÉRATION GRAVE. NE PAS FAIRE FONCTIONNER L'APPAREIL SI L'ADAPTATEUR D'ADMISSION N'EST PAS EN PLACE.</p>
---	---	---

<p>⚠ DANGER</p> <p>SEVERE LACERATION HAZARD. UNPLUG PRODUCT AND WAIT 2-1/2 MINUTES TO ALLOW TIME FOR INTERNAL ROTATING COMPONENTS TO STOP PRIOR TO REMOVING DUST CAPS AND HOSES.</p>	<p>⚠ PELIGRO</p> <p>PELIGRO DE LACERACIÓN GRAVE. DESENCHUFE EL PRODUCTO Y ESPERE 2-1/2 MINUTOS PARA DAR TIEMPO A QUE LOS COMPONENTES GIRATORIOS INTERNOS SE DETENGAN ANTES DE RETIRAR TAPAS ANTIPOLVO Y MANGUERAS.</p>	<p>⚠ DANGER</p> <p>RISQUE DE LACÉRATION GRAVE. DÉBRANCHER LE PRODUIT ET ATTENDRE 2-1/2 MINUTES POUR PERMETTRE AUX COMPOSANTS INTERNES EN ROTATION DE S'ARRÊTER AVANT DE RETIRER LES CAPUCHONS CACHE-POUSSIÈRE ET LES FLEXIBLES.</p>
---	---	--

<p>⚠ WARNING</p> <p>FALLS CAN CAUSE SERIOUS INJURIES. DO NOT STEP OR STAND ON THIS AREA.</p>	<p>⚠ ADVERTENCIA</p> <p>LAS CAÍDAS PUEDEN CAUSAR LESIONES GRAVES. NO PISAR NI PARARSE EN ESTA ÁREA.</p>	<p>⚠ AVERTISSEMENT</p> <p>LES CHUTES PEUVENT CAUSER DE GRAVES BLESSURES. NE MARCHÉZ PAS ET NE VOUS TENEZ PAS SUR CET EMPLACEMENT.</p>
---	--	--

<p>⚠ WARNING</p> <p>SEE OWNER'S MANUAL.</p>	<p>⚠ AVERTISSEMENT</p> <p>CONSULTER LE MODE D'EMPLOI.</p>	<p>⚠ ADVERTENCIA</p> <p>CONSULTE EL MANUAL DEL USUARIO.</p>
--	--	--

<p>⚠ DANGER</p> <p>SEVERE LACERATION HAZARD. UNPLUG PRODUCT AND WAIT 2-1/2 MINUTES TO ALLOW TIME FOR INTERNAL ROTATING COMPONENTS TO STOP PRIOR TO REMOVING DUST CAPS AND HOSES.</p>	<p>⚠ PELIGRO</p> <p>PELIGRO DE LACERACIÓN GRAVE. DESENCHUFE EL PRODUCTO Y ESPERE 2-1/2 MINUTOS PARA DAR TIEMPO A QUE LOS COMPONENTES GIRATORIOS INTERNOS SE DETENGAN ANTES DE RETIRAR TAPAS ANTIPOLVO Y MANGUERAS.</p>	<p>⚠ DANGER</p> <p>RISQUE DE LACÉRATION GRAVE. DÉBRANCHER LE PRODUIT ET ATTENDRE 2-1/2 MINUTES POUR PERMETTRE AUX COMPOSANTS INTERNES EN ROTATION DE S'ARRÊTER AVANT DE RETIRER LES CAPUCHONS CACHE-POUSSIÈRE ET LES FLEXIBLES.</p>
<p>⚠ WARNING</p> <p>TO REDUCE THE RISK OF INJURY USER MUST READ THE INSTRUCTION MANUAL BEFORE OPERATING DUST COLLECTOR. ALWAYS USE PROPER EYE AND RESPIRATORY PROTECTION. SHOCK HAZARD. DO NOT EXPOSE TO RAIN OR USE IN DAMP LOCATIONS. STORE INDOORS. USE ONLY FOR DRY PICK-UP. FIRE/EXPLOSION HAZARD. DO NOT PICK UP OR USE NEAR FLAMMABLE / COMBUSTIBLE LIQUIDS. DO NOT OPERATE WITHOUT HOSE CONNECTED TO INLET PORT AND BAGS OR CANISTER IN PLACE.</p>	<p>⚠ ADVERTENCIA</p> <p>PARA REDUCIR EL RIESGO DE LESIONES, EL USUARIO DEBE LEER EL MANUAL DE INSTRUCCIONES ANTES DE OPERAR EL RECOLECTOR DE POLVO. SIEMPRE UTILICE PROTECCIÓN ADECUADA PARA LOS OJOS Y VÍAS RESPIRATORIAS. RIESGO DE DESCARGA ELÉCTRICA. NO EXPONGA A LA LLUVIA NI UTILICE EN LUGARES HÚMEDOS. GUARDE BAJO TECHO. SÓLO UTILICELO PARA RECOGER RESIDUOS SECOS. NO RECOJA NI UTILICE CERCA DE LÍQUIDOS INFLAMABLES O COMBUSTIBLES. NO OPERE SI LA MANGUERA NO ESTÁ CONECTADA AL ORIFICIO DE ENTRADA O LAS BOLSAS Y LOS DEPÓSITOS NO SE ENCUENTRAN EN SU LUGAR.</p>	<p>⚠ AVERTISSEMENT</p> <p>L'UTILISATEUR DOIT LIRE LE MODE D'EMPLOI AVANT D'UTILISER LE DÉPOUSSEUR AFIN DE RÉDUIRE LE RISQUE DE BLESSURE. TOUJOURS UTILISER UNE PROTECTION OCULAIRE ET RESPIRATOIRE ADEQUATE. RISQUE D'ÉLECTROCUTION. NE PAS EXPOSER L'APPAREIL À LA PLUIE NI L'UTILISER DANS UN ENDROIT HUMIDE. LE RANGER À L'INTÉRIEUR. CONÇU UNIQUEMENT POUR LE RAMASSAGE DE MATIÈRES SÈCHES. NE PAS ASPIRER DE LIQUIDES INFLAMMABLES OU COMBUSTIBLES OU UTILISER LE DÉPOUSSEUR PRÈS DE CEUX-CI. NE PAS FAIRE FONCTIONNER SI LE TUYAU N'EST PAS CONNECTÉ À L'ORIFICE D'ADMISSION ET SI LES SACS OU L'ABSORBEUR NE SONT PAS EN PLACE.</p>
<p>⚠ CAUTION</p> <p>COLLECT WOOD MATERIALS ONLY. NEVER USE THE COLLECTOR TO PICK UP METAL SHAVINGS, DUST, OR PARTS.</p>	<p>⚠ PRECAUCIÓN</p> <p>RECOJA MATERIALES DE MADERA SOLAMENTE. NUNCA UTILICE EL RECOLECTOR PARA RECOGER RECORTES, POLVO O PIEZAS DE METAL.</p>	<p>⚠ ATTENTION</p> <p>ASPIRER UNIQUEMENT DES MATIÈRES EN BOIS. NE JAMAIS UTILISER LE DÉPOUSSEUR POUR L'ASPIRATION DE COPEAUX, POUSSIÈRES OU MORCEAUX DE MÉTAUX.</p>

SERVICE AND REPAIRS

All quality tools will eventually require servicing and/or replacement of parts. For information about DELTA Machinery, its factory-owned branches, or to locate an Authorized Warranty Service Center, visit our website at www.deltaportercable.com or call our End User Services at (800) 223-7278. All repairs made by our service centers are fully guaranteed against defective material and workmanship. We cannot guarantee repairs made or attempted by others. By calling this number you can also find answers to most frequently asked questions 24 hours/day.

You can also write to us for information at DELTA Machinery, 4825 Highway 45 North, Jackson, Tennessee 38305 - Attention: End User Services. Be sure to include all of the information shown on the nameplate of your tool (model number, type, serial number, date code, etc.)

ACCESSORIES

▲WARNING: Since accessories other than those offered by DELTA have not been tested with this product, use of such accessories could be hazardous. To reduce the risk of injury, only DELTA recommended accessories should be used with this product.

A complete line of accessories is available from your DELTA Supplier, DELTA Factory Service Centers, and DELTA Authorized Service Stations. Please visit our Web Site www.deltaportercable.com for a catalog or for the name of your nearest supplier.

WARRANTY

To register your tool for warranty service visit our website at www.deltaportercable.com.

Five Year Limited New Product Warranty

DELTA will repair or replace, at its expense and at its option, any new DELTA machine, machine part, or machine accessory which in normal use has proven to be defective in workmanship or material, provided that the customer returns the product prepaid to a DELTA factory service center or authorized service station with proof of purchase of the product within five years and provides DELTA with reasonable opportunity to verify the alleged defect by inspection. For all refurbished DELTA product, the warranty period is 180 days. DELTA will not be responsible for any asserted defect which has resulted from normal wear, misuse, abuse or repair or alteration made or specifically authorized by anyone other than an authorized DELTA service facility or representative. Under no circumstances will DELTA be liable for incidental or consequential damages resulting from defective products. Some states do not allow the exclusion or limitation of incidental or consequential damages, so the above limitation or exclusion may not apply to you. This warranty is DELTA's sole warranty and sets forth the customer's exclusive remedy, with respect to defective products; all other warranties, express or implied, whether of merchantability, fitness for purpose, or otherwise, are expressly disclaimed by DELTA. For further detail of warranty coverage and warranty repair information, visit www.deltaportercable.com or call (800) 223-7278. This warranty gives you specific legal rights and you may have other rights which vary in certain states or provinces.

LATIN AMERICA: This warranty does not apply to products sold in Latin America. For products sold in Latin America, see country specific warranty information contained in the packaging, call the local company or see website for warranty information.

LES INSTRUCTIONS IMPORTANTES DE SURETE

▲ AVERTISSEMENT lire toutes instructions d'avertissements et opération avant d'utiliser n'importe quel outil ou n'importe quel équipement. En utilisant les outils ou l'équipement, les précautions de sûreté fondamentales toujours devraient être suivies pour réduire le risque de blessure personnelle. L'opération déplacée, l'entretien ou la modification d'outils ou d'équipement ont pour résultat la blessure sérieux et les dommages de propriété. Il y a de certaines applications pour lequel outils et l'équipement sont conçus. Ce produit NE devrait être modifié en aucune façon et/ou utilisé pour aucune application autre que celle pour laquelle il a été conçu.



Si vous avez n'importe quelles questions relatives à son application n'utilisent pas le produit jusqu'à ce que vous avez écrit DELTA Machinery et nous vous avons conseillé. La forme en ligne de contact à www.deltamachinery.com
Courrier Postal: Technical Service Manager, DELTA Machinery, 4825 Highway 45 North, Jackson, TN 38305.
Dans Canada, 125 Mural St. Suite 300, Richmond Hill, ON, L4B 1M4.

Information en ce qui concerne l'opération sûre et correcte de cet outil est disponible des sources suivantes:

- Power Tool Institute, 1300 Sumner Avenue, Cleveland, OH 44115-2851 ou en ligne www.powertoolinstitute.com
- National Safety Council, 1121 Spring Lake Drive, Itasca, IL 60143-3201
- American National Standards Institute, 25 West 43rd Street, 4 floor, New York, NY 10036 www.ansi.org - ANSI 01.1 Safety Requirements for Woodworking Machines
- U.S. Department of Labor regulations www.osha.gov

CONSERVER CES DIRECTIVES.

MESURES DE SÉCURITÉ - DÉFINITIONS

Ce guide contient des renseignements importants que vous deviez bien saisir. Cette information porte sur VOTRE SÉCURITÉ et sur LA PRÉVENTION DE PROBLÈMES D'ÉQUIPEMENT. Afin de vous aider à identifier cette information, nous avons utilisé les symboles ci-dessous.

▲ DANGER indique une situation dangereuse imminente qui, si elle n'est pas évitée, causera la mort ou des blessures graves.

▲ AVERTISSEMENT indique une situation potentiellement dangereuse qui, si elle n'est pas évitée, pourrait se solder par un décès ou des blessures graves.

▲ ATTENTION: indique une situation potentiellement dangereuse qui, si elle n'est pas évitée pourrait se solder par des blessures mineures ou modérées.

AVIS: indique une pratique ne posant aucun risque de dommages corporels mais qui par contre, si rien n'est fait pour l'éviter, pourrait poser des risques de dommages matériels.

CONSIGNES DE SÉCURITÉ IMPORTANTES

Pendant l'utilisation du dépoussiéreur, prendre systématiquement des précautions élémentaires, y compris les suivantes :

LIRE TOUTES LES CONSIGNES AVANT TOUTE UTILISATION DU DÉPOUSSIÉREUR

▲ DANGER pour réduire tout risque d'incendie, de chocs électriques ou de blessures :

▲ DANGER **DANGERS D'EXPLOSION ET D'INCENDIE.** ne pas utiliser cet appareil pour filtrer la poussière de métal. La combinaison de poussières de bois et de métal peut créer un risque d'explosion ou d'incendie. Cet appareil est conçu pour filtrer dans des milieux non déflagrants.

▲ AVERTISSEMENT **DANGERS D'EXPLOSION ET D'INCENDIE.** ne pas utiliser cet appareil pour dissiper des vapeurs ou de la fumée. Cela peut se solder par des explosions ou un incendie. Le présent dépoussiéreur est conçu pour une utilisation seulement en présence de poussières sèches en suspension. **Limiter l'utilisation à des milieux non déflagrants exempts de métaux.**

▲ AVERTISSEMENT **DANGERS D'EXPLOSION ET D'INCENDIE.** ne pas utiliser le dépoussiéreur pour ramasser des liquides inflammables comme l'essence. Ne pas utiliser le dépoussiéreur près de liquides inflammables ou combustibles. Cela peut se solder par une explosion et/ou un incendie.

▲ AVERTISSEMENT **RISQUES D'INCENDIE.** Lors de l'utilisation du dépoussiéreur, ne pas aspirer des substances qui brûlent, qui couvent un feu ou qui émettent de la fumée comme des allumettes, cigarettes ou cendres chaudes.

▲ AVERTISSEMENT **DANGERS D'EXPLOSION.** Ne pas utiliser l'appareil pour aspirer des matériaux combustibles déflagrants comme du charbon, du grain ou autre matériel fin combustible.

▲ AVERTISSEMENT **RISQUES POUR LA SANTÉ.** Ne pas aspirer des matières dangereuses, toxiques ou cancérigènes comme l'amiante, un pesticide ou des résidus de peinture au plomb.

- **Ne laissez jamais seul un dépoussiéreur branché.** Débranchez-le après utilisation et avant entretien.
- **⚠ AVERTISSEMENT** pour réduire tout risque de chocs électriques, ne pas utiliser à l'extérieur ou sur une surface humide.
- **Ne permettez pas que le dépoussiéreur soit utilisé comme un jouet.** Si utilisé par un enfant ou près d'un enfant, maintenez une étroite surveillance.
- **Ne l'utilisez que comme indiqué dans ce manuel.** N'utilisez que des accessoires recommandés par le fabricant de votre modèle.
- **Ne l'utilisez pas avec un cordon ou une prise endommagé.** Si le dépoussiéreur ne fonctionne pas correctement, a été fait tombé, endommagé, ou laissé dehors, fait tombé dans l'eau, retournez-le chez un centre de service agréé.
- **Ne le tirez ou portez pas par son cordon, n'utilisez pas le cordon comme une poignée, ne coincez pas le cordon dans une porte, ou ne tirez pas sur le cordon sur des surfaces ou coin coupants.** Maintenez le cordon à l'abri de la chaleur.
- **Ne débranchez pas l'appareil en tirant sur son cordon.** Pour le débrancher tirez sur la prise, non pas sur le cordon.
- **Ne touchez pas la prise ou le dépoussiéreur avec des mains humides.**
- **Ne bouchez pas les entrées.** Ne l'utilisez pas si une entrée est bloquée ; éliminez des entrées les poussières, peluches, cheveux ou tout autre matériau pouvant réduire le flux d'air.
- **Maintenez cheveux, vêtements trop larges, doigts, ou toute autre partie du corps éloignés des ouvertures et des pièces mobiles.**
- **Éteignez toutes ses fonctions avant de le débrancher.**
- **Ne pas utiliser l'appareil avant qu'il ne soit entièrement assemblé et installé conformément aux directives.** Un appareil mal assemblé peut provoquer des blessures.
- **Demander conseil à un superviseur, instructeur, ou toute autre personne qualifiée si l'on ne maîtrise pas parfaitement l'utilisation de l'appareil.** La connaissance est synonyme de sécurité.
- **Suivre tous les codes de câblage et les connexions électriques recommandées afin d'éviter tout choc électrique ou électrocution.**
- **Ne pas tirer sur l'appareil par le cordon d'alimentation. Éloigner le cordon d'alimentation d'accessoires ou bords tranchants, de surfaces chaudes, d'huile ou de graisse.** Ne pas déposer d'objets lourds sur le cordon d'alimentation. Un cordon d'alimentation endommagé risque de provoquer un choc électrique ou une électrocution.
- **Maintenir l'appareil en condition optimale.** Pour des performances optimales, maintenir la zone du ventilateur propre. Tout filtre bouché peut poser des risques d'incendie ou d'explosion. Suivre toutes les consignes données pour changer ou nettoyer les filtres. Vérifier aussi que les bouches d'admission et d'échappement sont dégagées avant de mettre l'appareil en marche. Toute bouche d'admission ou d'échappement obturée pose des risques d'explosion et/ou d'incendie.
- **Éloigner les bras, mains, et doigts du ventilateur.** Éviter tout contact avec des pièces mobiles pour empêcher des blessures.
- **Ne pas utiliser l'appareil sans le sac collecteur de poussière en place et bien fixé.** La sciure et autres débris peuvent créer un risque potentiel d'incendie et/ou d'explosion ainsi que des problèmes respiratoires.
- **Des chocs statiques sont possibles dans les endroits sec ou lorsque l'humidité relative de l'air est basse.** C'est une situation temporaire et cela n'affecte pas l'utilisation de le dépoussiéreur. Pour réduire la fréquence

des chocs statiques, humidifiez l'air à l'aide d'un appareil ou installez un humidificateur.

- **Pour éviter les combustions spontanées, videz la cuve après chaque usage.**
- **Inspecter le sac à poussière pour toute trace de coupures ou déchirures.** Remplacer les sacs ou tuyaux d'aspirateur endommagés. La sciure et autres débris peuvent créer un risque potentiel d'incendie et/ou d'explosion ainsi que des problèmes respiratoires.
- **Ne pas essayer de retirer ou de remplacer le ou les sacs collecteurs de poussière alors que l'appareil est branché à la prise.** Des pales de ventilateur exposées peuvent provoquer de graves blessures.
- **Entreposer l'appareil dans un endroit qui élimine le risque de dommages potentiels au cordon d'alimentation.** Un cordon d'alimentation endommagé risque de provoquer un choc ou une électrocution. Ranger le cordon d'alimentation de façon sécuritaire pour empêcher le risque de trébuchement.
- **⚠ DANGER GRAVE DANGER DE LACÉRATION.** Arrêter l'appareil, et le débrancher du secteur puis attendre 2-1/2 minutes l'arrêt complet des organes rotatifs internes avant tout retrait ou installation d'accessoires, réglage, changement de configuration ou élimination de tout bourrage, et avant toute réparation. Tout démarrage accidentel comporte des risques de dommages corporels graves.
- **Éteindre l'appareil, le débrancher, et nettoyer la table/l'espace de travail avant de quitter la zone.**
- **N'approchez pas vos yeux de la bouche de le dépoussiéreur pendant l'opération.**
- **Garder la zone de travail propre et bien éclairée.** Les établis encombrés et les endroits sombres sont propices aux accidents.
- **Évitez de toucher des surfaces mises à la terre telles celles de tuyaux, radiateurs, cuisinières et réfrigérateurs.** Les risques de chocs électriques augmentent lorsque le corps est mis à la terre.
- **Certains bois contiennent des conservateurs pouvant être toxiques.** Lorsqu'on travaille avec ces matériaux, protéger la peau de tout contact et les poumons de toute inhalation. Se renseigner auprès du fournisseur du matériau pour obtenir toutes les directives de sécurité disponibles, et les suivre.

⚠ AVERTISSEMENT porter systématiquement une protection oculaire. Tout utilisateur ou individu présent doit porter une protection oculaire homologuée ANSI Z87.1.

⚠ AVERTISSEMENT pendant l'utilisation, porter systématiquement une protection auditive individuelle adéquate homologuée ANSI S12.6 (S3.19). Sous certaines conditions et suivant la longueur d'utilisation, le bruit émanant de ce produit pourrait contribuer à une perte de l'acuité auditive.

⚠ AVERTISSEMENT porter SYSTÉMATIQUEMENT des lunettes de protection. Les lunettes courantes NE sont PAS des lunettes de protection. Utiliser aussi un masque antipoussières si la découpe doit en produire beaucoup. PORTER SYSTÉMATIQUEMENT UN ÉQUIPEMENT DE SÉCURITÉ HOMOLOGUÉ :

- Protection oculaire ANSI Z87.1 (CAN/CSA Z94.3) ;
- Protection auditive ANSI S12.6 (S3.19) ;
- Protection des voies respiratoires NIOSH/OSHA/MSHA.

▲ AVERTISSEMENT Cet outil contient des produits chimiques, y compris du plomb, reconnus par l'état californien pour causer cancers, malformations congénitales ou être nocifs au système reproducteur. Bien se laver les mains après toute utilisation.

▲ AVERTISSEMENT Certaines poussières contiennent des produits chimiques reconnus par l'état californien pour causer cancers, malformations congénitales ou être nocifs au système reproducteur. Parmi ces produits chimiques, on retrouve :

- Les engrais et leurs composés ;
- les insecticides, herbicides et pesticides et leurs composés ;
- l'arsenic et le chrome dans le bois ayant subi un traitement chimique.

Pour réduire toute exposition à ces produits : utiliser le matériel de sécurité approprié, tel un masque anti-poussières spécialement conçu pour filtrer les particules microscopiques.

CONSERVER CES DIRECTIVES.

Les consulter souvent et les utiliser pour donner des directives aux autres.

RACCORDEMENTS ÉLECTRIQUES

Un circuit électrique séparé doit être utilisé pour les machines. Un circuit adéquat est composé d'un câblage de calibre AWG12/3 avec un fil de terre relié à la terre. Ce circuit doit être protégé par un disjoncteur homologué ou un fusible à retardement. **REMARQUE** : les fusibles temporisés devraient avoir l'inscription « D » au Canada et « T » aux É.-U. Si on utilise un cordon prolongateur, ce cordon doit être à trois fils, avoir une fiche à trois broches et une prise de courant à trois cavités, mise à la terre qui correspond à la fiche de la machine. Avant debrancher la machine, s'assurer que l'interrupteur (les interrupteurs) se trouve(nt) en position « OFF » (ARRÊT) et que le courant électrique présente les mêmes caractéristiques que celles qui sont inscrites sur la machine. Toutes les connexions électriques doivent établir un bon contact. Le fonctionnement sur une basse tension endommagera la machine.

▲ DANGER **RISQUES DE CHOCS ÉLECTRIQUES.** Ne pas exposer la machine à la pluie, et ne pas l'utiliser dans des endroits humides.

TENSION ET PROTECTION DU CIRCUIT

Caractéristiques techniques

Tension	120/240	Hertz.....	60
Phase	monophasé	Exigences minimales du circuit de dérivation	15 A
Type de fusible	à retardement		

▲ ATTENTION : Risques de surchauffe. Certains moteurs électriques peuvent fonctionner sur un circuit de 15 ampères si les conditions suivantes sont respectées :

- La tension d'alimentation au circuit doit être conforme au Code national de l'électricité;
- Le circuit n'est pas utilisé pour alimenter d'autres dispositifs électriques;
- Les rallonges sont conformes aux caractéristiques techniques.
- Le circuit est équipé d'un disjoncteur de 15 ampères ou d'un fusible à retardement de 15 ampères. **REMARQUE** : si le moteur est connecté à un circuit protégé par des fusibles, utiliser exclusivement des fusibles à retardement. Les fusibles à retardement devraient porter la mention « D » au Canada et « T » aux États-Unis.

Si l'une des conditions ci-dessus ne peut être respectée, ou si l'utilisation du moteur électrique entraîne des coupures répétées de courant, il pourra s'avérer nécessaire de le brancher sur un circuit de 20 ampères. Il ne sera pas nécessaire de changer le cordon amovible.

SPÉCIFICATIONS DU MOTEUR

Cette machine est câblée pour un fonctionnement sur un courant alternatif de 120/240 volts 60 Hz. Avant de brancher la machine, s'assurer que l'interrupteur se trouve à la position « OFF » (ARRÊT).

INSTRUCTIONS DE MISE À LA TERRE

▲ DANGER **RISQUES DE CHOCS ÉLECTRIQUES.** Cette machine doit être mise à la terre pendant son emploi, afin de protéger l'utilisateur des décharges électriques.

1. Toutes les machines avec cordon mis à la terre:

Dans l'éventualité d'un mauvais fonctionnement ou d'une panne, la mise à la terre fournit un trajet de moindre résistance permettant de réduire le risque de décharge électrique. Cette machine est dotée d'un cordon électrique possédant un conducteur de mise à la terre de l'équipement ainsi que d'une fiche mise à la terre. La fiche doit être branchée dans une prise de courant correspondante, installée de façon adéquate et mise à la terre conformément à tous les codes et règlements locaux.

Ne pas modifier la fiche fournie - si elle ne s'adapte pas à la prise de courant, il faut faire installer une prise de courant convenable par un électricien compétent.

Un mauvais raccordement du conducteur de mise à la terre de l'équipement peut entraîner un risque de décharge électrique. Le conducteur possédant un isolant avec surface extérieure de couleur verte, avec ou sans rayures jaunes, est le conducteur de mise à la terre de l'équipement. Si une réparation ou un remplacement du cordon électrique s'avère nécessaire, ne pas brancher le conducteur de mise à la terre de l'équipement à une borne sous tension.

Consulter un électricien compétent ou le personnel de service après-vente si on ne comprend pas entièrement les instructions de mise à la terre, ou si l'on doute que la machine soit correctement mise à la terre.

Utiliser seulement des cordons prolongateurs à trois fils dotés d'une fiche mise à la terre, à trois broches, et de prises à trois cavités convenant à la fiche de la machine, comme l'illustre la figure A.

Réparer ou remplacer sans délai tout cordon endommagé ou usé.

2. Machines avec cordon mis à la terre prévues pour une utilisation sur une alimentation nominale inférieure à 150 volts:

Si cette machine est prévue pour être utilisée sur un circuit qui comporte une prise semblable à celle illustrée à la figure A, la machine devra comporter une fiche mise à la terre semblable à celle illustrée à la figure A. Un adaptateur temporaire semblable à celui illustré à la figure B, peut être utilisé pour raccorder cette fiche à une prise à deux cavités comme celle illustrée à la figure B, si une prise correctement mise à la terre n'est pas disponible. L'adaptateur temporaire ne doit être utilisé que jusqu'au moment où une prise correctement mise à la terre est installée par un électricien compétent. L'oreiller rigide ou autre dispositif semblable de couleur verte, sur le dessus de l'adaptateur, doit être connecté sur une mise à la terre permanente comme, par exemple, une boîte à prises correctement mise à la terre. Quand un adaptateur est utilisé, celui-ci doit être retenu en place par une vis en métal.

REMARQUE: Au Canada, le Code canadien de l'électricité ne permet pas l'emploi d'un adaptateur temporaire.

▲ DANGER RISQUES DE CHOCS ÉLECTRIQUES. Dans tous les cas, s'assurer que la prise en question est bien mise à la terre. Dans le doute, demander à un électricien compétent de vérifier la prise.

3. Fonctionnement monophasé à 240 volts

Le moteur fourni avec la machine est un moteur bitension de 120/240 volts. Il est livré, prêt à fonctionner, sous tension de 120 volts. Toutefois, il peut être converti au fonctionnement sous 240 volts.

Un électricien professionnel devrait effectuer la conversion ou utiliser les services d'un centre de réparations agréé DELTA. Suite à la conversion, la machine doit être conforme au Code électrique national et à tous les codes et à toutes les ordonnances à l'échelle locale.

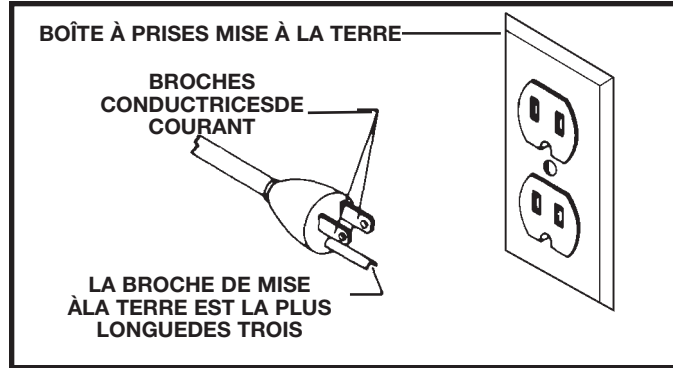


FIG. A

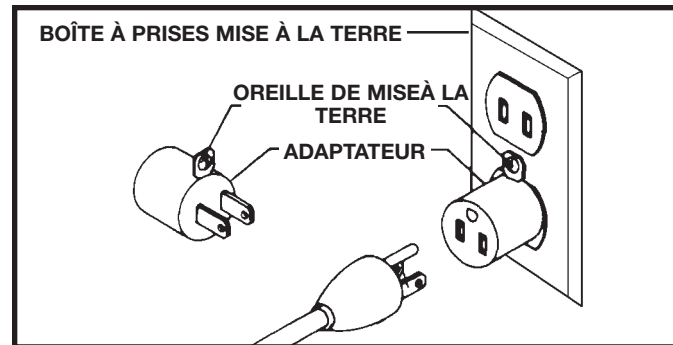


FIG. B

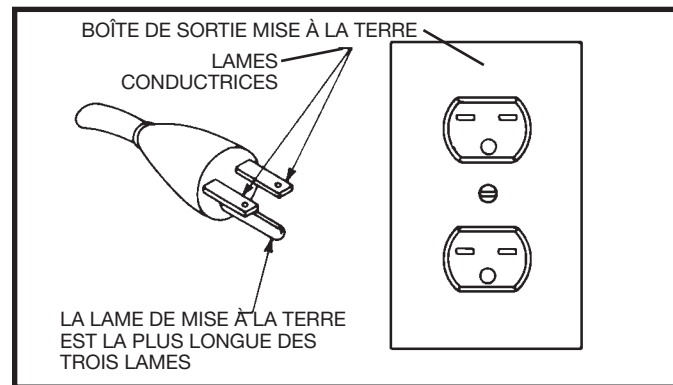


Fig. C

La conversion exige un recâblage du moteur pour 240 volts grâce et l'installation d'une fiche de 240 volts sur le cordon d'alimentation.

S'assurer que la fiche de 240 volts s'insère seulement dans une prise ayant la même configuration que la fiche illustrée à la fig. C. N'utiliser aucun adaptateur avec une fiche de 240 volts.

▲ AVERTISSEMENT RISQUES DE CHOCS ÉLECTRIQUES. Dans tous les cas, s'assurer que la fiche en question est mise à la terre adéquatement. En cas de doutes, demander à un électricien professionnel de vérifier la prise.

CORDON DE RALLONGE

▲ AVERTISSEMENT Employez les cordes appropriées de prolongation. S'assurent votre corde de prolongation est en bon état. En utilisant une corde de prolongation, soyez sûr d'employer un assez lourd pour porter le courant de la machine. Une corde trop petite causera une baisse dans la tension secteur, ayant pour résultat la perte de puissance et de surchauffe. Fig. D-1 or D-2, expositions la mesure correcte à employer selon la longueur de corde. En cas de doute, utilisez la prochaine mesure plus lourde. Plus le nombre de mesure est petit, plus la corde est lourde.

MESUR MINIMUM DE CORDE D'EXTENSION			
TAILLES RECOMMANDÉES POUR L'USAGE AVEC STATIONNAIRES ÉLECTRIQUES LES OUTILS			
Estimation pere	Volts	Longueur Totale De Corde En Pieds	Mesure De Corde D'Am D'Extension
0-6	120	up to 25	18 AWG
0-6	120	25-50	16 AWG
0-6	120	50-100	16 AWG
0-6	120	100-150	14 AWG
6-10	120	up to 25	18 AWG
6-10	120	25-50	16 AWG
6-10	120	50-100	14 AWG
6-10	120	100-150	12 AWG
10-12	120	up to 25	16 AWG
10-12	120	25-50	16 AWG
10-12	120	50-100	14 AWG
10-12	120	100-150	12 AWG
12-16	120	up to 25	14 AWG
12-16	120	25-50	12 AWG
12-16	120	50 PI PLUS GRANDS QUE NON RECOMMANDES	

Fig. D-1

MESUR MINIMUM DE CORDE D'EXTENSION			
TAILLES RECOMMANDÉES POUR L'USAGE AVEC STATIONNAIRES ÉLECTRIQUES LES OUTILS			
Estimation pere	Volts	Longueur Totale De Corde En Pieds	Mesure De Corde D'Am D'Extension
0-6	240	up to 50	18 AWG
0-6	240	50-100	16 AWG
0-6	240	100-200	16 AWG
0-6	240	200-300	14 AWG
6-10	240	up to 50	18 AWG
6-10	240	50-100	16 AWG
6-10	240	100-200	14 AWG
6-10	240	200-300	12 AWG
10-12	240	up to 50	16 AWG
10-12	240	50-100	16 AWG
10-12	240	100-200	14 AWG
10-12	240	200-300	12 AWG
12-16	240	up to 50	14 AWG
12-16	240	50-100	12 AWG
12-16	240	50 PI PLUS GRANDS QUE NON RECOMMANDES	

Fig. D-2

DESCRIPTION FONCTIONNELLE

AVANT-PROPOS

Le modèle industriel de dépoussiéreur DELTA, 50-786, peut être connecté à des machines à bois acceptant des tuyaux de 4 po de diamètre. Le modèle 50-786 est fourni avec un sac-filtre de 1 micron et deux sacs plastiques de 6 ml et un tuyau de 101.6 mm x 152.4 cm (4 po x 5 pi).

REMARQUE : La image sur la couverture illustre le modèle de production actuel. Les autres illustrations de ce mode d'emploi ne sont présentes qu'à titre indicatif et il est possible que les étiquettes et accessoires actuels diffèrent des caractéristiques réelles de ce modèle. Ces illustrations ont uniquement pour but d'illustrer la technique.

CONTENUS DE BOITE



1. a. Roues fixes
b. Boulons à tête hexagonale de 3/8 x 63,5 mm (2-1/2 po) (2)
c. Écrous lock de 3/8 po (2)
d. Rondelles plates de 3/8 po (4)
2. Roulettes (2)

3. Rondelles de blocage de 3/8 po (2)
4. Écrous de retenue (2)
5. Clips de retenue de poignée (2)
6. Boulons à tête hexagonale de 5/16 x 19 mm (3/4 po) (20)
7. Écrous hexagonaux de 5/16 po (14)

8. Rondelles de blocage de 5/16 po (20)
9. Vis à tôle autotaraudeuses #8 x 19 mm (3/4 po) (4)
10. Interrupteur à bascule
11. Dispositif de fixation de la tige de soutien du sac
12. Rondelle plate, à large Dia. ext., de 5/16 po (1)
13. Boulon à tête hexagonale de 5/16 x 25,4 mm (1 po)
14. Bride de fixation du tuyau (2)
15. Capuchon et anneau de la buse (2)
16. Dispositif moteur et souffleur
17. Base
18. Tuyau
19. Poignée
20. Buse d'admission
21. Panneaux avant et latéraux (3)
22. Panneau transversal (2)
23. Sac inférieur (2)
24. Anneau de retenue du sac en tissu
25. Sac supérieur



DÉSEMBALLAGE ET NETTOYAGE

Désemballer soigneusement la machine et toutes les pièces de ou des emballage(s) d'expédition. Retirer l'huile anticorrosion des surfaces non peintes à l'aide d'un chiffon doux humidifié avec de l'alcool, du diluant à peinture ou de l'alcool dénaturé.

AVIS: N'utiliser pas de solvants hautement volatils tel l'essence, le naphte, l'acétone ou du diluant à laque pour nettoyer.

Après nettoyage, couvrir les surfaces non peintes d'une cire à parquets d'usage domestique de bonne qualité.

ASSEMBLAGE

▲ AVERTISSEMENT Pour réduire le risque de blessures corporelles graves, éteindre l'outil et le débrancher avant d'installer et de retirer tout accessoire, avant d'ajuster ou de modifier les réglages ou lors de réparations. Un démarrage accidentel peut provoquer des blessures.

OUTILS NÉCESSAIRES POUR L'ASSEMBLEE

Conducteur à vis en croix (non fourni)

Clés à fourche de 12 mm

ASSEMBLAGE DES ROUES À LA BASE

ROULETTES (FIG. 1, 2)

1. Placez une rondelle de blocage de 3/8 po (A) sur l'axe de la roulette (C).
2. Insérez l'axe de la roulette dans le trou taraudé de la base, comme illustré en (D), puis serrez.
3. Resserrez la base de la roulette avec une clé ou une pince à bec effilé, comme illustré en figure 2.
4. Répétez l'opération pour l'autre roulette.

ROUES FIXES (FIG. 3, 4)

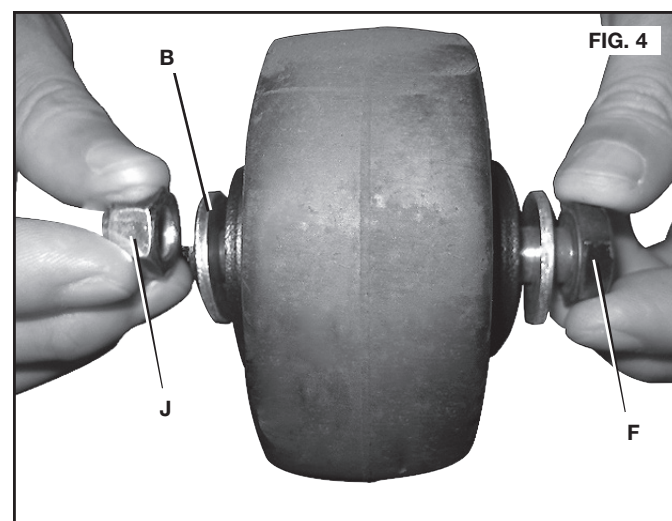
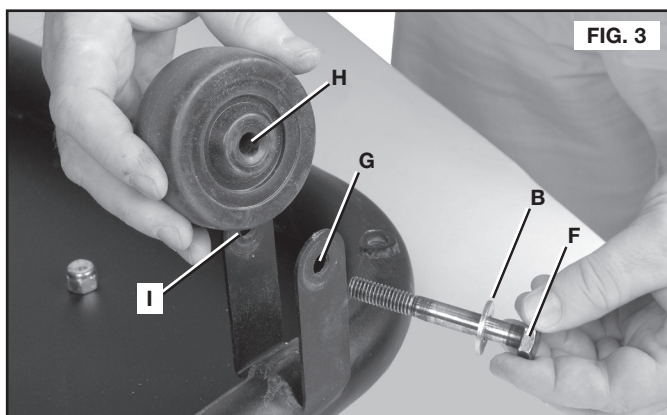
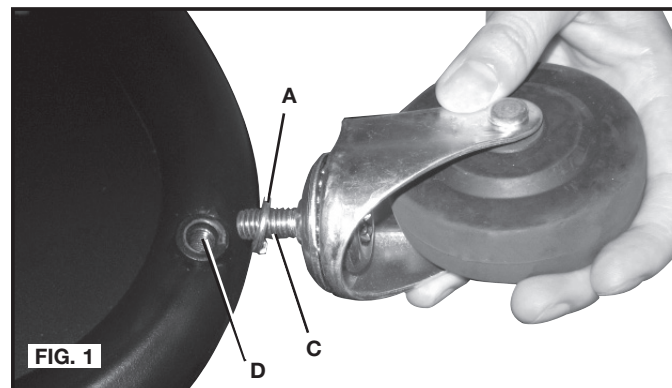
1. Placez une rondelle plate de 3/8 po (B) sur un boulon à tête hexagonale (F) de 3/8 x 63,5 mm (2-1/2 po).
2. Insérez le boulon à tête hexagonale dans le trou (G) sur le dispositif de fixation de la roue, dans le trou central (H) de la roue puis dans l'autre trou (I) du dispositif de fixation de la roue.
3. Placez une rondelle plate de 3/8 po (B) et un contre-écrou de 3/8 po (J) sur le boulon à tête hexagonale (F) puis serrez.
REMARQUE : ne pas trop serrer le contre-écrou (J), sur le boulon (F). Assurez-vous que la roue tourne librement.
4. Répétez l'opération pour l'autre roue fixe.

ASSEMBLAGE DES PANNEAUX LATÉRAUX À LA BASE (FIG. 5-8)

1. Placez une rondelle de blocage de 5/16 po (K), sur le boulon à tête hexagonale de 19 mm (5/16 x 3/4 po) (L).

L'ESTIMATION DE TEMPS D'ASSEMBLEE

L'Assemblée pour cette machine prend une à deux heures.



- Alignez les trous (M), sur le panneau latéral (N) sur les trous (O) de la plaque de la base.

REMARQUE : s'assurer que le panneau latéral est bien orienté comme illustré en figure 6.

- Placez un boulon à tête hexagonale avec une rondelle dans le trou (M) du panneau latéral et dans le trou (O) de la base.
- Dessous la base, arrimez le panneau latéral à la base avec un écrou hexagonal de 5/16 po (Q).
- Répétez l'opération pour l'autre trou sur le panneau latéral et la base.
- Répétez l'opération pour l'autre panneau latéral. Les deux panneaux sont illustrés correctement assemblés en figure 8.

REMARQUE : RESSERREZ L'ENSEMBLE DE LA QUINCAILLERIE À LA MAIN SEULEMENT POUR LE MOMENT. Elle sera serrée à fond plus tard suivant un ordre spécifique.

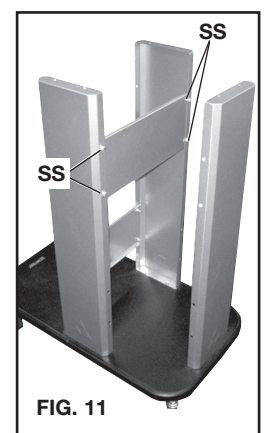
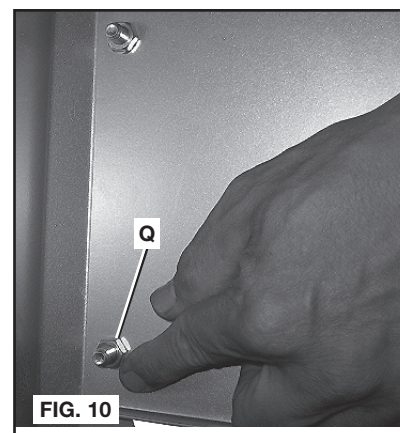
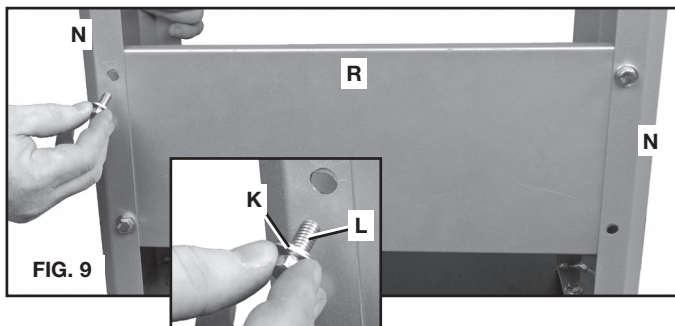
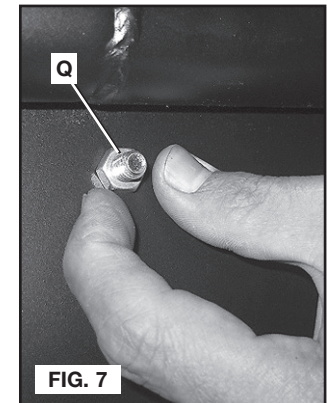
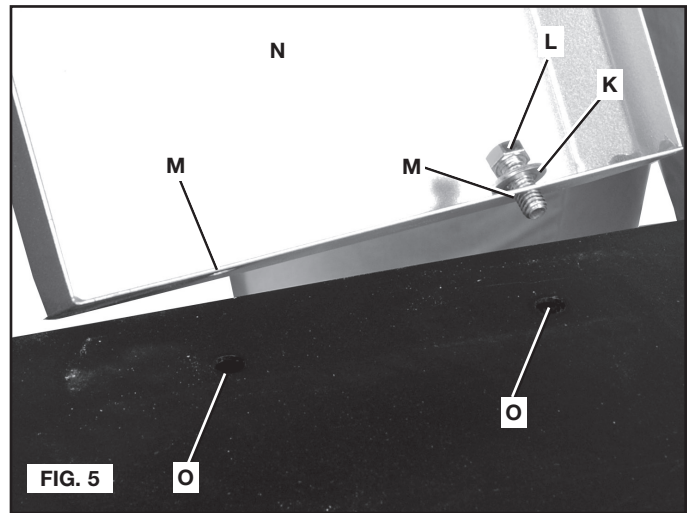
ASSEMBLAGE DES PANNEAUX TRANSVERSAUX AUX PANNEAUX LATÉRAUX (FIG. 9-11)

- Placez une rondelle de blocage de 5/16 po (K), (encadré), sur un boulon à tête hexagonale de 19 mm (5/16 x 3/4 po) (L).
- Alignez les quatre trous du panneau transversal (R) sur les quatre trous inférieurs des panneaux latéraux (N).
- Insérez un boulon à tête hexagonale avec une rondelle, (L) et (K) (encadré), dans les trous des panneaux latéraux (N) puis sur ceux du panneau transversal (R).
- Rattachez le panneau transversal au panneau latéral avec un écrou hexagonal de 5/16 po (Q).
- Le panneau transversal assemblé est illustré en figure 11.
- Assemblez le panneau transversal supérieur de la même manière sur les trous (SS).

REMARQUE : RESSERREZ L'ENSEMBLE DE LA QUINCAILLERIE À LA MAIN SEULEMENT POUR LE MOMENT. Elle sera serrée à fond plus tard suivant un ordre spécifique.

ASSEMBLAGE DU PANNEAU AVANT À LA BASE (FIG. 12-15)

- Placez une rondelle de blocage de 5/16 po (K), sur le boulon à tête hexagonale de 19 mm (5/16 x 3/4 po) (L).
- Alignez les trous sur le panneau avant (N) sur les trous de la plaque de la base (S), comme illustré en figure 12.



REMARQUE : s'assurer que le panneau avant est bien orienté comme illustré en figure 13.

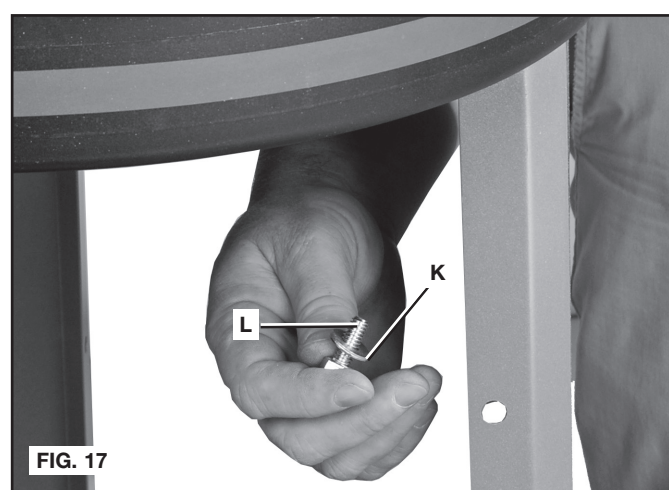
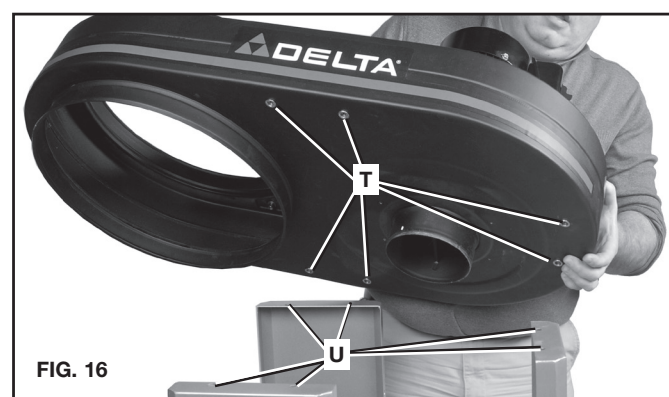
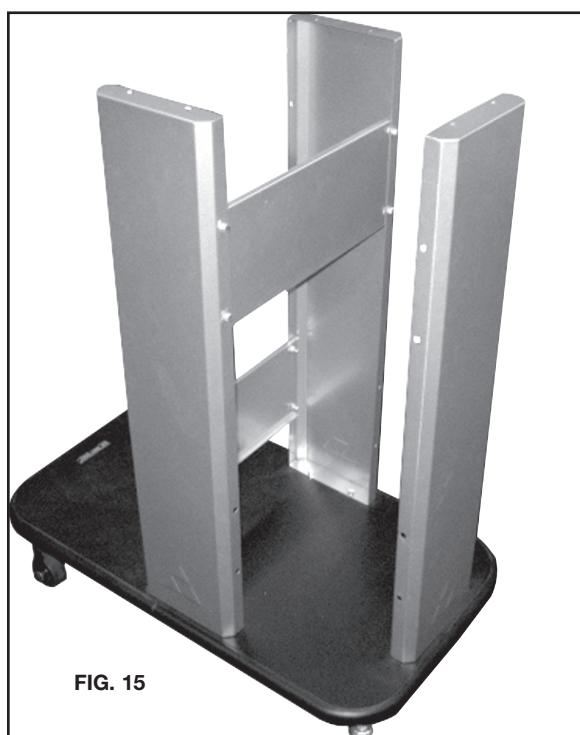
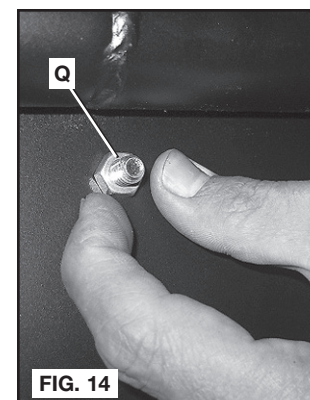
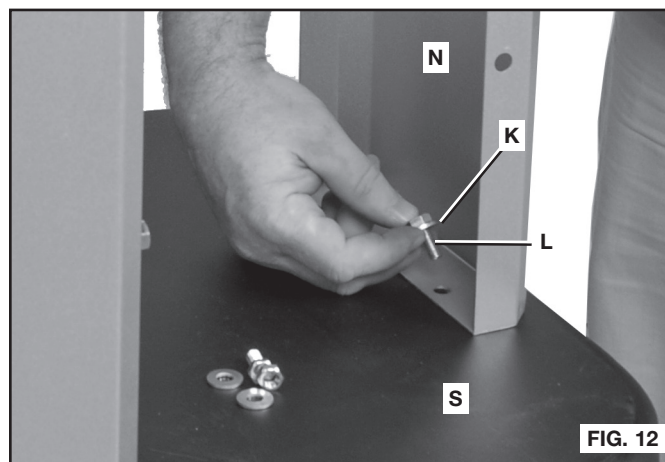
3. Placez un boulon à tête hexagonale avec une rondelle dans les trous du panneau avant (N) et de la plaque de la base (S).
4. Dessous la base, arrimez le panneau avant à la base avec un écrou hexagonal de 5/16 po (Q).
5. Répétez l'opération pour l'autre trou sur le panneau avant et la base.
6. Les panneaux avant et latéraux sont illustrés correctement assemblés en figure 15.

REMARQUE : RESSERREZ L'ENSEMBLE DE LA QUINCAILLERIE À LA MAIN SEULEMENT POUR LE MOMENT. Elle sera serrée à fond plus tard suivant un ordre spécifique.

ASSEMBLAGE DU MOTEUR/SOUFFLEUR AU PIED (FIG. 16, 17)

1. Placez le carter du moteur/souffleur sur le pied. Alignez les trous (T), du carter sur les trous (U) du pied.
2. Placez une rondelle de blocage de 5/16 po (K), sur le boulon à tête hexagonale de 19 mm (5/16 x 3/4 po) (L).
3. Insérez une rondelle et un boulon dans les trous (U), du pied et un boulon dans les trous taraudés (T) du carter du moteur/souffleur. Resserrez manuellement seulement.
4. Répétez l'opération pour les trous restants.

REMARQUE : RESSERREZ L'ENSEMBLE DE LA QUINCAILLERIE À LA MAIN SEULEMENT POUR LE MOMENT. Elle sera serrée à fond plus tard suivant un ordre spécifique.



RESSERRER TOUTE LA QUINCAILLERIE DANS L'ORDRE SUIVANT (FIG. 18, 19)

À l'aide d'une clé de 12 mm (non incluse), resserrez la quincaillerie dans cet ordre.

1. Resserrez les six boulons sur le carter du moteur/souffleur.
2. Resserrez les six boulons qui rattachent les panneaux latéraux et avant à la base.
3. Resserrez les quatre boulons qui rattachent le panneau transversal aux panneaux latéraux.



FIG. 18



FIG. 19

INSTALLATION DE LA BUSE D'ADMISSION (FIG. 20, 21)

Alignez les quatre trous [dont l'un est illustré en (V)] sur la buse d'admission sur les quatre trous [un illustré en (W)] sous le carter du moteur/souffleur. Rattachez la buse d'admission en insérant quatre vis #8 autotaraudeuses dans les quatre trous.

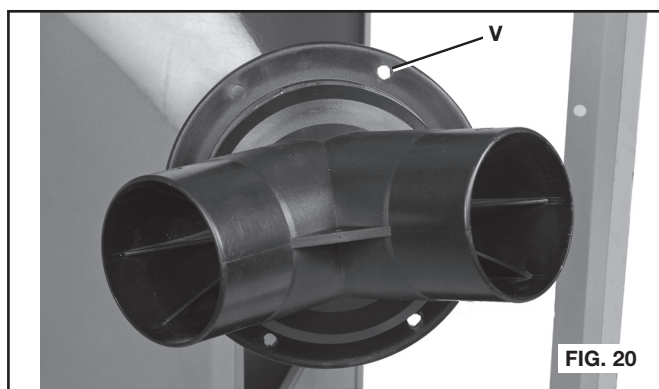


FIG. 20

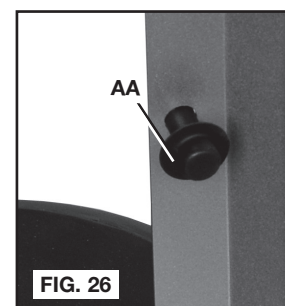
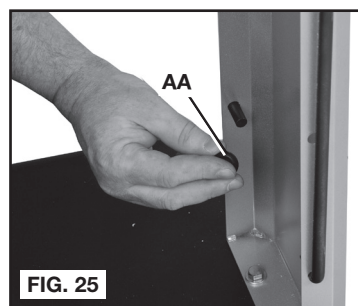
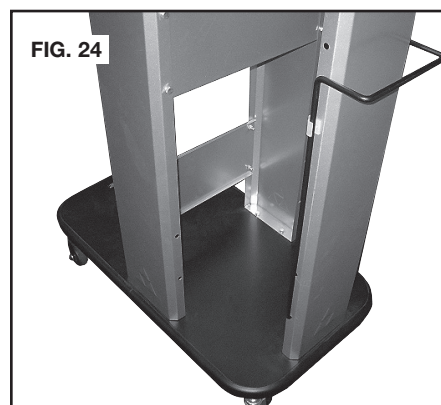
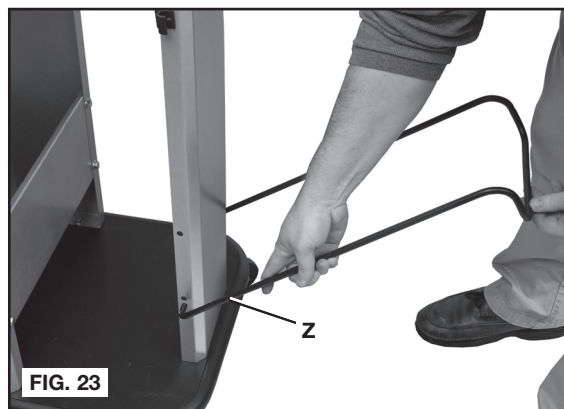
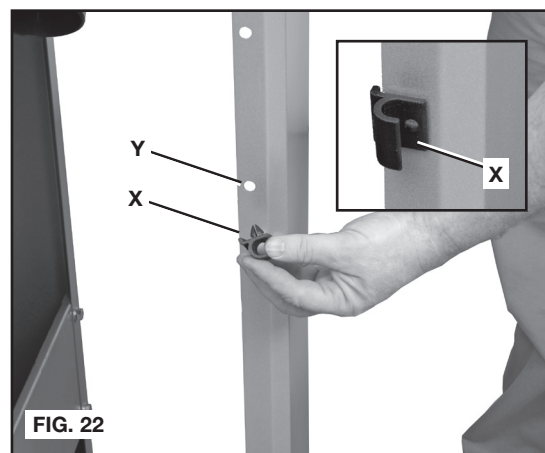


FIG. 21

ASSEMBLAGE DE LA POIGNÉE (FIG. 22–26)

1. Rattachez le clip de retenue de poignée (X), dans le deuxième trou (Y) (à partir du haut) du panneau avant.
2. Orientez le clip (X), comme illustré sur l'encadré, avec son ouverture orientée à l'opposé du dépoussiéreur.
3. Répétez l'opération pour le clip restant de l'autre côté du panneau avant.
4. Orientez la poignée comme illustré en figure 23.
5. Placez les extrémités de la poignée (Z) dans les trous inférieurs sur les deux côtés du panneau avant, comme illustré en figure 23.
6. Les clips devraient maintenir la poignée comme illustré en figure 24.
7. Repoussez fermement les écrous de retenue inamovibles (AA), sur les extrémités de la poignée qui dépasse sur l'intérieur du panneau avant.

REMARQUE : ces écrous (AA), sont inamovibles. S'assurer que la poignée est correctement orientée avant de les insérer.

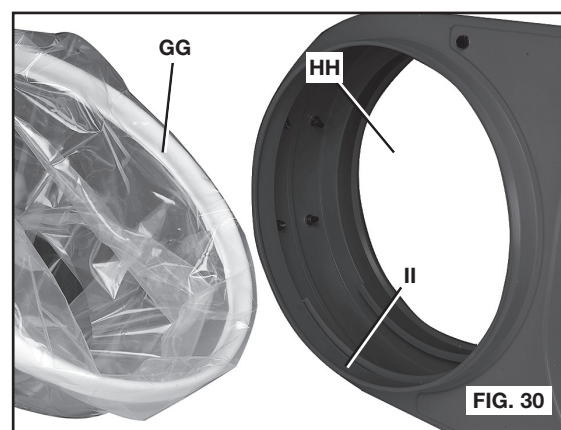
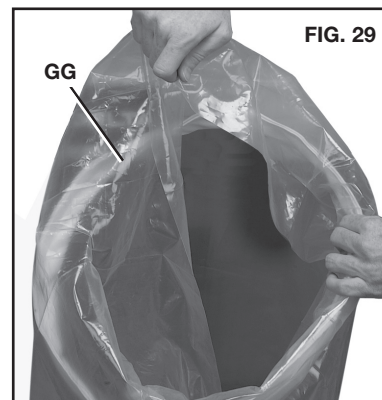
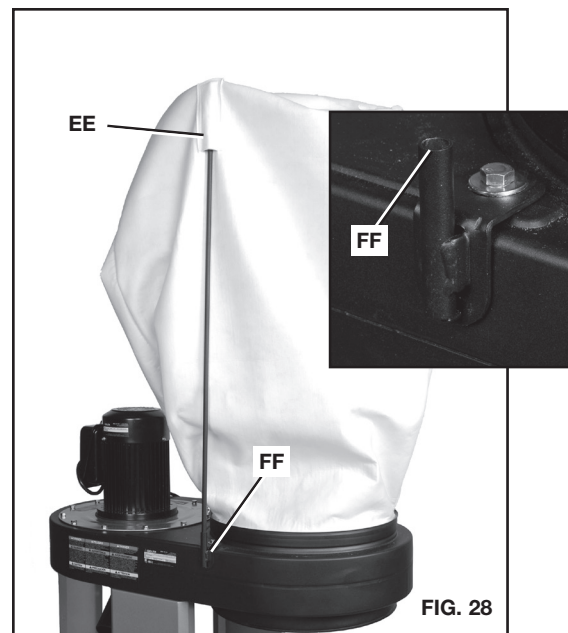
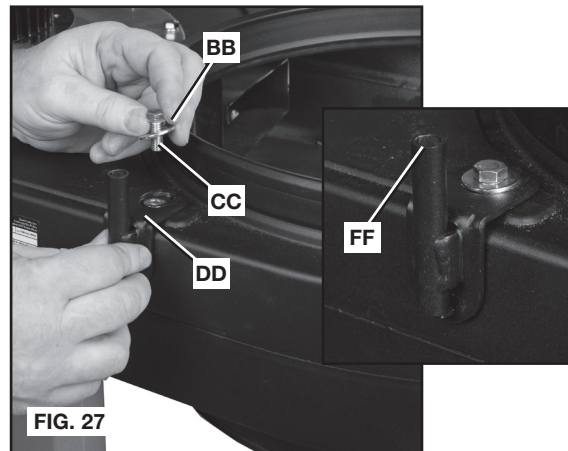


ASSEMBLAGE DU SAC-FILTRE SUPÉRIEUR (FIG. 27, 28)

1. Placez une rondelle plate de 5/16 po (BB), sur le boulon à tête hexagonale (C) de 5/16 x 1 po (25,4 mm).
2. Installez le dispositif de fixation (DD) sur le dépoussiéreur.
3. Insérez un boulon dans le trou du dispositif de fixation puis vissez-le dans le trou du dépoussiéreur. Resserrez soigneusement avec une clé de 12 mm.
4. Insérez la tige dans la poche (EE), sur le sac-filtre.
6. Insérez la tige dans le trou sur le dispositif de fixation (FF) (encadré).
7. Insérez l'extrémité ouverte du sac-filtre dans la rainure supérieure du tambour du dépoussiéreur jusqu'à ce qu'il y soit soigneusement arrimé. Recourbez et pliez, le cas échéant, l'anneau de retenue du sac interne pour qu'il se loge en place.

INSTALLATION DU SAC À POUSSIÈRES (FIG. 29, 30)

1. Passez le sac à poussières en plastique transparent au travers du centre de l'anneau de retenue du sac en tissu (GG). Repliez environ 152.4 mm (6 po) du sac sur l'anneau de retenue.
2. Passez le sac dans le large trou (HH), du dispositif moteur/souffleur. Insérez l'anneau de retenue (GG), dans la rainure inférieure (II). Recourbez et repliez l'anneau pour qu'il se loge en place.
3. Arrangez légèrement le sac pour éliminer tout relâchement pour vous assurer que le sac est bien arrimé et ne se détachera pas pendant l'utilisation.



INSTALLATION DU TUYAU À LA BUSE D'ADMISSION (FIG. 31, 32)

Le modèle 50-786 est équipé de deux buses de 101,6 mm (4 po).

Si l'une des buses d'admission n'est pas utilisée, bouchez-la à l'aide du capuchon fourni à cet effet.

Pour installer le capuchon :

Placez l'extrémité ouverte (JJ), des bagues du capuchon autour et sur l'extrémité de l'une des buses d'admission avant de rattacher le tuyau à l'autre. Bouchez la buse d'admission ouverte à l'aide du capuchon plat (KK).

Installation du tuyau :

Rattachez légèrement la bride de fixation du tuyau (LL), autour de l'extrémité du tuyau flexible (MM). Rattachez le tuyau à la buse d'admission (NN) et resserrez la bride de fixation du tuyau (LL).

Utilisez l'autre bride de fixation du tuyau pour rattacher l'autre extrémité du tuyau flexible à la machine à bois.

REMARQUE : ne pas utiliser le dépoussiéreur avec l'une des buses d'admission (NN) ouverte.



FIG. 31

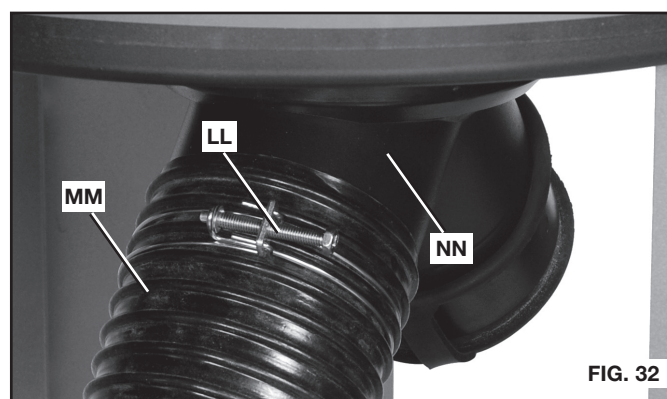


FIG. 32

FONCTIONNEMENT

L'OPERATION CONTROLE DE LE ET LES AJUSTEMENT

⚠ AVERTISSEMENT pour la sécurité de l'opérateur, s'assurer que le tuyau d'admission de la poussière soit toujours raccordé à l'orifice d'admission de la poussière avant d'utiliser l'appareil. Le ventilateur logé à l'intérieur du boîtier du souffleur est accessible par l'orifice d'admission de la poussière et peut s'avérer dangereux. Toujours porter des vêtements adéquats. Ne pas porter de bijoux et éloigner les doigts et tout objet étranger de l'orifice d'admission de la poussière. Suivre les consignes en matière de sécurité du présent manuel.

REMARQUE : le dépoussiéreur est livré avec l'interrupteur à bascule de sécurité (OO), fig. 33, non installé. Il doit être inséré dans l'interrupteur du dépoussiéreur puis mis sur la position « OFF » (ARRÊT) avant utilisation.

Retirez le collant (PP) recouvrant l'interrupteur avant d'insérer l'interrupteur à bascule (OO), fig. 34, dans l'interrupteur (QQ).

DÉMARRAGE ET ARRÊT DU DÉPOUSSIÉREUR (FIG. 33)

⚠ AVERTISSEMENT s'assurer que l'interrupteur se trouve sur la position « OFF » (ARRÊT) avant de brancher le cordon d'alimentation dans la prise. Ne pas toucher aux lames métalliques de la fiche lors du branchement ou débranchement du cordon.

L'interrupteur marche/arrêt (QQ), est situé sur le côté du moteur. Pour mettre la machine en marche, placez l'interrupteur sur la position « ON ». Pour

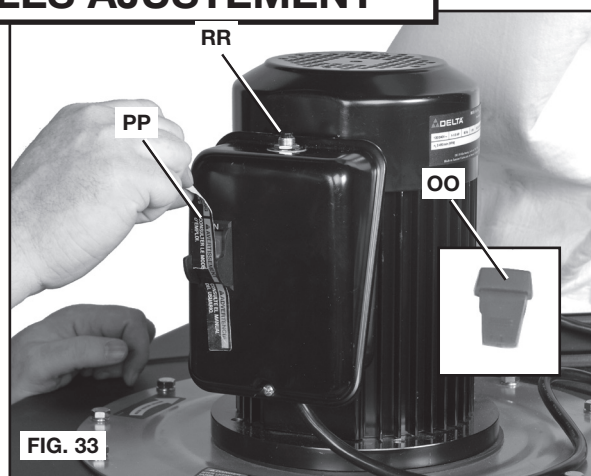


FIG. 33

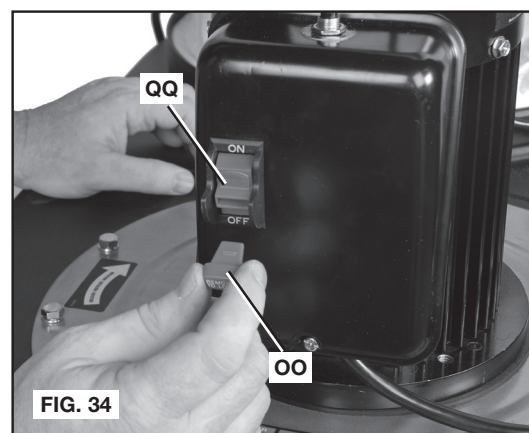


FIG. 34

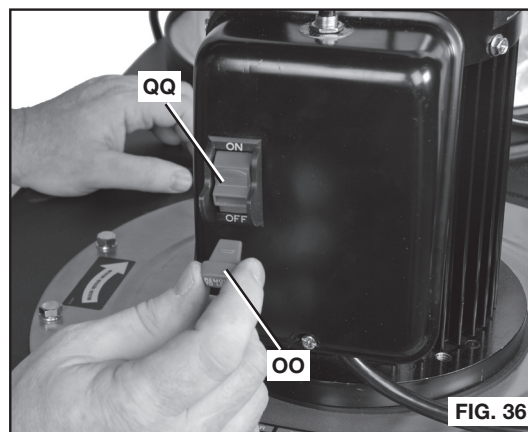
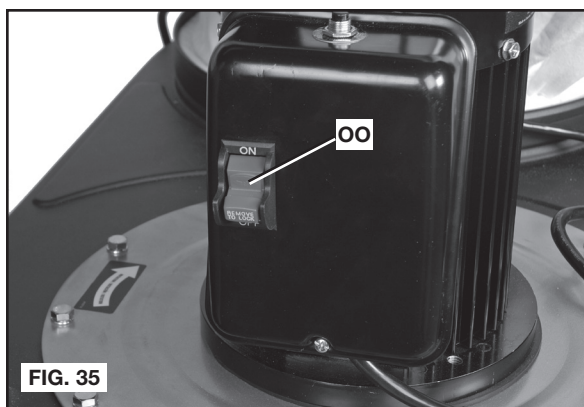
arrêter la machine, placez l'interrupteur sur la position « OFF » (ARRÊT).

VERROUILLER L'INTERRUPTEUR EN POSITION D'ARRÊT (FIG. 35, 36)

IMPORTANT : après utilisation, l'interrupteur devrait être verrouillé en position « OFF » (ARRÊT) pour empêcher toute utilisation non autorisée. Pour verrouiller la machine, placez l'interrupteur à bascule (OO), sur la position « OFF » (ARRÊT) puis retirez-le de l'interrupteur, comme illustré en figure 36. Lorsque l'interrupteur à bascule (OO) est retiré, l'interrupteur ne fonctionnera pas. Cependant, si l'interrupteur à bascule est retiré alors que le moteur tourne, la machine pourra être arrêtée, mais ne pourra être remise en marche sans que l'interrupteur à bascule (OO) soit réinstallé.

⚠ AVERTISSEMENT en cas de panne d'électricité (telle un disjoncteur désarmé ou un fusible grillé), toujours déplacer l'interrupteur en position « OFF » (ARRÊT) jusqu'à ce que l'alimentation soit rétablie.

⚠ AVERTISSEMENT RISQUES D'INCENDIE. Lors de l'utilisation du dépoussiéreur, ne pas aspirer des substances qui brûlent, qui couvent un feu ou qui émettent de la fumée comme des allumettes, cigarettes ou cendres chaudes.



⚠ AVERTISSEMENT DANGERS D'EXPLOSION. Ne pas utiliser l'appareil pour aspirer des matériaux combustibles déflagrants comme du charbon, du grain ou autre matériel fin combustible.

⚠ AVERTISSEMENT RISQUES POUR LA SANTÉ. Ne pas aspirer des matières dangereuses, toxiques ou cancérigènes comme l'amiante, un pesticide ou des résidus de peinture au plomb.

DISJONCTEUR

Le moteur du dépoussiéreur est muni d'un disjoncteur autoréarmable. Si le moteur s'arrête ou ne démarre pas à la suite d'une surcharge, éteindre le dépoussiéreur. Laisser refroidir le moteur pendant trois à cinq minutes et appuyer sur le bouton de réinitialisation (RR), fig. 35, du disjoncteur pour le réarmer. Le moteur peut alors redémarrer normalement. Si la surcharge déclenche le disjoncteur à répétitions, visiter notre site web à www.deltaportercable.com pour une liste de centres de maintenance ou appeler la ligne d'aide de DELTA Machinery à (800) 223-7278. (Canada: (800) 463-3582).

DEPANNAGE

Pour l'assistance avec votre outil, visiter notre site web à www.deltaportercable.com pour une liste de centres de maintenance ou appeler la ligne d'aide de DELTA Machinery à (800) 223-7278. (Canada: 1-800-463-3582).

ENTRETIEN

⚠ AVERTISSEMENT pour réduire le risque de blessures corporelles graves, éteindre l'outil et le débrancher avant d'installer et de retirer tout accessoire, avant d'ajuster ou de modifier les réglages ou lors de réparations. Un démarrage accidentel peut provoquer des blessures.

GARDER LA MACHINE PROPRE

Dégager régulièrement toutes les conduites d'air avec de l'air comprimé sec. Toutes les pièces en plastique doivent être nettoyées à l'aide d'un chiffon doux humide. NE JAMAIS utiliser de solvants pour nettoyer les pièces en plastique. Les solvants peuvent dissoudre ou endommager le matériel.

⚠ AVERTISSEMENT porter des protections oculaire et auditive homologuées et utiliser un appareil respiratoire lors de l'utilisation d'air comprimé.

DÉMARRAGE IMPOSSIBLE

Si la machine ne démarre pas, s'assurer que les lames de la fiche du cordon d'alimentation sont bien enfoncées dans la

SERVICE

PIÈCES DE RECHANGE

Utiliser seulement des pièces de rechange identiques. Pour obtenir une liste des pièces de rechange ou pour en commander, consulter notre site Web au www.deltaportercableservicenet.com. Il est aussi possible de commander des pièces auprès d'une succursale d'usine ou un centre de réparation sous garantie autorisé ou en communiquant avec le service à la clientèle au 800-223-7278 pour recevoir un soutien personnalisé de l'un de nos représentants bien formés.

REPLACEMENT GRATUIT DE L'ÉTIQUETTE

Si vos étiquettes d'avertissement deviennent illisibles ou sont manquantes, composez le 1-800-223-7278 pour obtenir une étiquette de remplacement gratuite.

	<p>⚠ WARNING</p> <p>TO REDUCE RISK OF INJURY FROM MOVING PARTS, KEEP HANDS AWAY FROM AIR INLET PORTS. ONLY OPERATE WITH INLET PORTS COVERED WITH CAPS OR CONNECTED TO FLEXIBLE HOSE. IMPELLER CONTINUES TO ROTATE AFTER DUST COLLECTOR IS TURNED OFF. MAKE SURE DUST COLLECTOR IS TURNED OFF, DISCONNECTED FROM POWER SOURCE AND THAT IMPELLER HAS STOPPED ROTATING BEFORE SERVICING OR CLEARING DUST AND CHIPS. DO NOT OPERATE WITHOUT HOSE CONNECTED TO INLET PORT AND BAGS OR CANISTER IN PLACE.</p>	<p>⚠ ADVERTENCIA</p> <p>REDUCE EL RIESGO DE SUFRIR LESIONES CAUSADAS POR LAS PIEZAS MÓVILES. MANTIENE LAS MANOS ALEJADAS DE LOS ORIFICIOS DE ENTRADA DE AIRE. OPERE ÚNICAMENTE CON LOS ORIFICIOS DE ENTRADA CUBIERTOS CON TAPAS O CONECTADOS A UNA MANGUERA FLEXIBLE. EL IMPULSOR CONTINUA ROTANDO DESPUÉS DE QUE EL RECOLECTOR DE POLVO ESTÁ APAGADO. ASEGÚRESE DE QUE EL COLECTOR ESTE APAGADO, DESCONECTADO DE LA FUENTE DE ALIMENTACIÓN Y DE QUE EL IMPULSOR HAYA PARADO ANTES DE REALIZAR UN MANTENIMIENTO O LIMPIAR EL POLVO Y LAS ASTILLAS. NO OPERE SI LA MANGUERA NO ESTÁ CONECTADA AL ORIFICIO DE ENTRADA O LAS BOLSAS Y LOS DEPÓSITOS NO SE ENCUENTRAN EN SU LUGAR.</p>	<p>⚠ AVERTISSEMENT</p> <p>POUR RÉDUIRE LE RISQUE DE BLESSURES EN LIEN AVEC DES PIÈCES MÓBILES, ÉLOIGNER LES MAINS DES ORIFICES D'ADMISSION DE L'AIR. UTILISER UNIQUEMENT AVEC LES ORIFICES D'ADMISSION RECOUVERTS DE CAPUCHONS OU RACCORDES À UN TUYAU FLEXIBLE. L'HELICE POURSUIT SON MOUVEMENT MÊME APRÈS L'ARRÊT DU DÉPOUSSIÈREUR. S'ASSURER QUE LE DÉPOUSSIÈREUR EST HORS TENSION, DÉBRANCHÉ ET QUE L'HELICE EST IMMOBILE AVANT DE DÉBUTER UNE RÉPARATION OU DE RETIRER LA POUSSIÈRE ET LES COPEAUX DE L'APPAREIL. NE PAS FAIRE FONCTIONNER SI LE TUYAU N'EST PAS CONNECTÉ À L'ORIFICE D'ADMISSION ET SI LES SACS OU L'ABSORBEUR NE SONT PAS EN PLACE.</p>
--	--	---	---

<p>⚠ DANGER</p> <p>SEVERE LACERATION HAZARD. DO NOT OPERATE WITHOUT INTAKE ADAPTER IN PLACE.</p>	<p>⚠ PELIGRO</p> <p>PELIGRO DE LACERACIÓN GRAVE. NO OPERE LA UNIDAD SIN EL ADAPTADOR DE ENTRADA EN SU LUGAR.</p>	<p>⚠ DANGER</p> <p>RISQUE DE LACÉRATION GRAVE. NE PAS FAIRE FONCTIONNER L'APPAREIL SI L'ADAPTATEUR D'ADMISSION N'EST PAS EN PLACE.</p>
---	---	---

<p>⚠ DANGER</p> <p>SEVERE LACERATION HAZARD. UNPLUG PRODUCT AND WAIT 2-1/2 MINUTES TO ALLOW TIME FOR INTERNAL ROTATING COMPONENTS TO STOP PRIOR TO REMOVING DUST CAPS AND HOSES.</p>	<p>⚠ PELIGRO</p> <p>PELIGRO DE LACERACIÓN GRAVE. DESENCHUFE EL PRODUCTO Y ESPERE 2-1/2 MINUTOS PARA DAR TIEMPO A QUE LOS COMPONENTES GIRATORIOS INTERNOS SE DETENGAN ANTES DE RETIRAR TAPAS ANTIPOLVO Y MANGUERAS.</p>	<p>⚠ DANGER</p> <p>RISQUE DE LACÉRATION GRAVE. DÉBRANCHER LE PRODUIT ET ATTENDRE 2-1/2 MINUTES POUR PERMETTRE AUX COMPOSANTS INTERNES EN ROTATION DE S'ARRÊTER AVANT DE RETIRER LES CAPUCHONS CACHE-POUSSIÈRE ET LES FLEXIBLES.</p>
---	---	--

<p>⚠ WARNING</p> <p>FALLS CAN CAUSE SERIOUS INJURIES. DO NOT STEP OR STAND ON THIS AREA.</p>	<p>⚠ ADVERTENCIA</p> <p>LAS CAÍDAS PUEDEN CAUSAR LESIONES GRAVES. NO PISAR NI PARARSE EN ESTA ÁREA.</p>	<p>⚠ AVERTISSEMENT</p> <p>LES CHUTES PEUVENT CAUSER DE GRAVES BLESSURES. NE MARCHEZ PAS ET NE VOUS TENEZ PAS SUR CET EMPLACEMENT.</p>
---	--	--

<p>⚠ WARNING</p> <p>SEE OWNER'S MANUAL.</p>	<p>⚠ AVERTISSEMENT</p> <p>CONSULTER LE MODE D'EMPLOI.</p>	<p>⚠ ADVERTENCIA</p> <p>CONSULTE EL MANUAL DEL USUARIO.</p>
--	--	--

<p>⚠ DANGER</p> <p>SEVERE LACERATION HAZARD. UNPLUG PRODUCT AND WAIT 2-1/2 MINUTES TO ALLOW TIME FOR INTERNAL ROTATING COMPONENTS TO STOP PRIOR TO REMOVING DUST CAPS AND HOSES.</p>	<p>⚠ PELIGRO</p> <p>PELIGRO DE LACERACIÓN GRAVE. DESENCHUFE EL PRODUCTO Y ESPERE 2-1/2 MINUTOS PARA DAR TIEMPO A QUE LOS COMPONENTES GIRATORIOS INTERNOS SE DETENGAN ANTES DE RETIRAR TAPAS ANTIPOLVO Y MANGUERAS.</p>	<p>⚠ DANGER</p> <p>RISQUE DE LACÉRATION GRAVE. DÉBRANCHER LE PRODUIT ET ATTENDRE 2-1/2 MINUTES POUR PERMETTRE AUX COMPOSANTS INTERNES EN ROTATION DE S'ARRÊTER AVANT DE RETIRER LES CAPUCHONS CACHE-POUSSIÈRE ET LES FLEXIBLES.</p>
<p>⚠ WARNING</p> <p>TO REDUCE THE RISK OF INJURY USER MUST READ THE INSTRUCTION MANUAL BEFORE OPERATING DUST COLLECTOR. ALWAYS USE PROPER EYE AND RESPIRATORY PROTECTION. SHOCK HAZARD. DO NOT EXPOSE TO RAIN OR USE IN DAMP LOCATIONS. STORE INDOORS. USE ONLY FOR DRY PICK-UP. FIRE/EXPLOSION HAZARD. DO NOT PICK UP OR USE NEAR FLAMMABLE / COMBUSTIBLE LIQUIDS. DO NOT OPERATE WITHOUT HOSE CONNECTED TO INLET PORT AND BAGS OR CANISTER IN PLACE.</p>	<p>⚠ ADVERTENCIA</p> <p>PARA REDUCIR EL RIESGO DE LESIONES, EL USUARIO DEBE LEER EL MANUAL DE INSTRUCCIONES ANTES DE OPERAR EL RECOLECTOR DE POLVO. SIEMPRE UTILICE PROTECCIÓN ADECUADA PARA LOS OJOS Y VÍAS RESPIRATORIAS. RIESGO DE DESCARGA ELÉCTRICA. NO EXPONGA A LA LLUVIA NI UTILICE EN LUGARES HÚMEDOS. GUARDE BAJO TECHO. SÓLO UTILÍCELO PARA RECOGER RESIDUOS SECOS. NO RECOJA NI UTILICE CERCA DE LÍQUIDOS INFLAMABLES O COMBUSTIBLES. NO OPERE SI LA MANGUERA NO ESTÁ CONECTADA AL ORIFICIO DE ENTRADA O LAS BOLSAS Y LOS DEPÓSITOS NO SE ENCUENTRAN EN SU LUGAR.</p>	<p>⚠ AVERTISSEMENT</p> <p>L'UTILISATEUR DOIT LIRE LE MODE D'EMPLOI AVANT D'UTILISER LE DÉPOUSSIÈREUR AFIN DE RÉDUIRE LE RISQUE DE BLESSURE. TOUJOURS UTILISER UNE PROTECTION OCULAIRE ET RESPIRATOIRE ADEQUATE. RISQUE D'ÉLECTROCUTION. NE PAS EXPOSER L'APPAREIL À LA PLUIE NI L'UTILISER DANS UN ENDROIT HUMIDE. LE RANGER À L'INTÉRIEUR. CONÇU UNIQUEMENT POUR LE RAMASSAGE DE MATIÈRES SÈCHES. NE PAS ASPIRER DE LIQUIDES INFLAMMABLES OU COMBUSTIBLES OU UTILISER LE DÉPOUSSIÈREUR PRÈS DE CEUX-CI. NE PAS FAIRE FONCTIONNER SI LE TUYAU N'EST PAS CONNECTÉ À L'ORIFICE D'ADMISSION ET SI LES SACS OU L'ABSORBEUR NE SONT PAS EN PLACE.</p>
<p>⚠ CAUTION</p> <p>COLLECT WOOD MATERIALS ONLY. NEVER USE THE COLLECTOR TO PICK UP METAL SHAVINGS, DUST, OR PARTS.</p>	<p>⚠ PRECAUCIÓN</p> <p>RECOJA MATERIALES DE MADERA SOLAMENTE. NUNCA UTILICE EL RECOLECTOR PARA RECOGER RECORTES, POLVO O PIEZAS DE METAL.</p>	<p>⚠ ATTENTION</p> <p>ASPIRER UNIQUEMENT DES MATIÈRES EN BOIS. NE JAMAIS UTILISER LE DÉPOUSSIÈREUR POUR L'ASPIRATION DE COPEAUX, POUSSIÈRES OU MORCEAUX DE MÉTAUX.</p>

ENTRETIEN ET RÉPARATION

Tous les outils de qualité finissent par demander un entretien ou un changement de pièce. Pour de plus amples renseignements à propos de DELTA Machinery, ses succursales d'usine ou pour trouver un centre de réparation sous garantie autorisé, consulter notre site Web au www.deltaportercable.com ou communiquer avec notre service à la clientèle au 800-223-7278. Toutes les réparations effectuées dans nos centres de réparation sont entièrement garanties contre les défauts de matériaux et de main-d'œuvre. Nous ne pouvons garantir les réparations effectuées en partie ou totalement par d'autres. En composant ce numéro à toute heure du jour ou de la nuit, il est également possible de trouver les réponses aux questions les plus courantes.

Pour de plus amples renseignements, écrire également à DELTA Machinery, 4825 Highway 45 North, Jackson, Tennessee

38305, É.-U. - à l'attention de : End User Services. S'assurer d'indiquer toutes les informations figurant sur la plaque signalétique de l'outil (numéro du modèle, type, numéro de série, code de date, etc.).

ACCESSOIRES

▲ AVERTISSEMENT Depuis des accessoires autre que ceux offerts par DELTA n'ont pas été testés avec ce produit, utilisation de tels accessoires a pu être dangereuse. Pour réduire tout risque de dommages corporels, seulement DELTA a recommandé des accessoires devrait être utilisé avec ce produit.

Une ligne complète des accessoires est fournie des centres commerciaux d'usine de par votre de DELTA fournisseur, de DELTA, et des stations service autorisées par DELTA. Veuillez visiter notre site Web www.deltaportercable.com pour un catalogue ou pour le nom de votre fournisseur plus proche.

GARANTIE

Pour enregistrer votre outil pour la garantie service la visite notre site Web à www.deltaportercable.com.

Garantie limitée de cinq ans

DELTA réparera ou remplacera, à ses frais et à sa discrétion, toute nouvelle machine DELTA, pièce de rechange ou tout accessoire qui, dans des circonstances d'utilisation normale, s'est avéré défectueux en raison de défauts de matériau ou de fabrication, à condition que le client retourne le produit (transport payé d'avance) au centre de réparation de l'usine DELTA ou à un centre de réparation autorisé accompagné d'une preuve d'achat et dans les cinq ans de la date d'achat du produit, et fournisse à DELTA une opportunité raisonnable de vérifier le défaut présumé par une inspection. La période de garantie des produits DELTA réusinés est de 180 jours. DELTA ne peut être tenu pour responsable des défauts résultants de l'usure normale, de la mauvaise utilisation, de l'abus, de la réparation ou de la modification du produit, sauf en cas d'autorisation spécifique d'un centre de réparation ou d'un représentant DELTA autorisé. En aucune circonstance DELTA ne peut être tenu pour responsable des dommages accidentels ou indirects résultant d'un produit défectueux. Certains États ou provinces ne permettent pas l'exclusion ou la restriction de dommages accessoires ou indirects, auquel cas, les exclusions ou limitations ci-dessus pourraient ne pas être applicables. Cette garantie constitue la seule garantie de DELTA et le recours exclusif des clients en ce qui concerne les produits défectueux ; toutes les autres garanties, expresses ou implicites, de qualité marchande, d'adéquation à un usage particulier, ou autre, sont expressément déclinées par DELTA. Pour obtenir de plus amples renseignements sur les pièces ou les réparations couvertes par la présente garantie, visiter le site www.deltaportercable.com ou composer le (800) 223 7278. Cette garantie confère des droits légaux particuliers à l'acheteur, mais celui-ci pourrait aussi bénéficier d'autres droits variant d'un état ou d'une province à l'autre.

AMÉRIQUE LATINE : Cette garantie ne s'applique aux produits vendus en Amérique latine. Pour ceux-ci, veuillez consulter les informations relatives à la garantie spécifique présente dans l'emballage, appeler l'entreprise locale ou consulter le site Web pour les informations relatives à cette garantie.

INSTRUCCIONES DE SEGURIDAD IMPORTANTES

▲ ADVERTENCIA: Lea a todas advertencias y las instrucciones operadoras antes de utilizar cualquier instrumento o el equipo. Cuando se usa instrumentos o equipo, las precauciones básicas de la seguridad siempre se deben seguir para reducir el riesgo de la herida personal. La operación impropia, la conservación o la modificación de instrumentos o equipo podrían tener como resultado el daño grave de la herida y la propiedad. Hay ciertas aplicaciones para que equipas con herramienta y el equipo se diseña. Este producto **NO** debería ser modificado ni utilizado para aplicaciones para las cuales no fue diseñado.



Si usted tiene cualquiera pregunta el pariente a su aplicación no utiliza el producto hasta que usted haya escrito DELTA Machinery y nosotros lo hemos aconsejado. La forma en línea del contacto en www.deltaportercable.com o por correo Technical Service Manager, DELTA Machinery, 4825 Highway 45 North, Jackson, TN 38305. En Canada, 125 Mural St. Suite 300, Richmond Hill, ON, L4B 1M4

Información con respecto a la operación segura y apropiada de este instrumento está disponible de las fuentes siguientes:

- Power Tool Institute, 1300 Sumner Avenue, Cleveland, OH 44115-2851 o en línea www.powertoolinstitute.org
- National Safety Council, 1121 Spring Lake Drive, Itasca, IL 60143-3201
- American National Standards Institute, 25 West 43rd Street, 4 floor, New York, NY 10036 www.ansi.org - ANSI 01.1 Safety Requirements for Woodworking Machines
- U.S. Department of Labor regulations www.osha.gov

GUARDE ESTAS INSTRUCCIONES!

PAUTAS DE SEGURIDAD/DEFINICIONES

Es importante para usted leer y entender este manual. La información que lo contiene relaciona a proteger SU SEGURIDAD y PREVENIR los PROBLEMAS. Los símbolos debajo de son utilizados para ayudarlo a reconocer esta información.

▲ PELIGRO: indica una situación de peligro inminente que, si no se evita, provocará la muerte o lesiones graves.

▲ ADVERTENCIA: indica una situación de peligro potencial que, si no se evita, podría provocar la muerte o lesiones graves.

▲ ATENCIÓN: indica una situación de peligro potencial que, si no se evita, puede provocar lesiones leves o moderadas.

AVISO: se refiere a una práctica no relacionada a lesiones corporales que de no evitarse puede resultar en daños a la propiedad.

INSTRUCCIONES IMPORTANTES DE SEGURIDAD

Cuando utilice el colector de polvo, siempre debería seguir precauciones básicas, incluyendo las siguientes:

LEA TODAS LAS INSTRUCCIONES ANTES DE UTILIZAR EL COLECTOR DE POLVO

▲ PELIGRO: Para reducir el riesgo de incendio, descarga eléctrica o lesión:

▲ PELIGRO: **RISQUE D'EXPLOSION OU D'INCENDIE.** No utilice esta unidad para filtrar polvo de metal. La combinación de polvo de madera y polvo de metal puede producir una explosión o un peligro de incendio. Esta unidad fue diseñada para filtrar sólo atmósferas no explosivas.

▲ ADVERTENCIA: **RISQUE D'EXPLOSION OU D'INCENDIE.** No utilice esta unidad para difundir gases o humos. Pueden producirse explosiones o incendios. Este colector de polvo fue diseñado para ser utilizado sólo en la presencia de polvo seco transportado por el aire. Su uso debería limitarse a atmósferas no explosivas y no metálicas.

▲ ADVERTENCIA: **RISQUE D'EXPLOSION OU D'INCENDIE.** No utilice el colector de polvo para aspirar líquidos inflamables, como la gasolina. No utilice el colector de polvo cerca de líquidos inflamables o combustibles. Pueden producirse explosiones y/o incendios.

▲ ADVERTENCIA: **PELIGRO DE INCENDIO.** Al usar el recolector de polvo, no aspire nada que esté en combustión, en llamas o echando humo, como fósforos, cigarrillos o cenizas calientes.

▲ ADVERTENCIA: **PELIGRO DE EXPLOSIÓN.** No use la máquina para aspirar materiales explosivos combustibles, como carbón, granos o cualquier otro material combustible dividido en partículas finas.

▲ ADVERTENCIA: **PELIGRO DE SALUD.** No use la máquina para aspirar materiales peligrosos, tóxicos o carcinógenos como amianto, pesticidas o residuos de pintura a base de plomo.

- **No deje el colector de polvo sin supervisión cuando esté enchufada.** Desenchúfela cuando no esté en uso y antes de repararla.

- **▲ ADVERTENCIA:** Para reducir el riesgo de una descarga eléctrica, no utilice en el exterior o sobre superficies húmedas.
- No permita que el colector de polvo sea usada como juguete. Es importante prestar mucha atención cuando se utilice en la proximidad de niños.
- Sólo úsela de la forma descrita en este manual. Sólo úsela con los accesorios recomendados por el fabricante.
- No use si su cable o enchufe están dañados. Si el colector de polvo no funciona de la manera debida, se ha caído, ha sido dañada, dejada a la intemperie o si se ha caído al agua, devuélvala a un centro de servicio.
- No jale o lleve del cable, no use el cable como asa, no cierre una puerta cuando el cable pase por ella ni lo jale en rededor de bordes afilados o esquinas. Mantenga el cable alejado de superficies calientes.
- No desenchufe jalando del cable. Para desenchufar, jale del enchufe y no del cable.
- No toque el enchufe o el colector de polvo con las manos mojadas.
- No inserte objetos en las aperturas. No use si alguna de las aperturas está bloqueada; mantenga libre de polvo, pelusa, pelo y cualquier otra cosa que pudiera reducir el flujo del aire.
- Mantenga su pelo, vestimenta suelta, dedos y todas las partes del cuerpo alejadas de sus aperturas y piezas en movimiento.
- Apague todos los controles antes de desenchufarla.
- No haga funcionar esta unidad hasta que no esté completamente ensamblada e instalada según las instrucciones. Una unidad que no ha sido correctamente ensamblada puede causar lesiones.
- Si no está completamente familiarizado con el funcionamiento de esta unidad, hágase asesorar por su supervisor, instructor, u otra persona calificada. El conocimiento es sinónimo con la seguridad.
- Siga todos los códigos de instalación eléctrica y realice todas las conexiones eléctricas recomendadas para evitar producir descargas eléctricas o electrocutar.
- No tire del cable de alimentación de esta unidad. No permita que el cable de alimentación entre en contacto con instrumentos o bordes afilados, superficies calientes, aceite o grasa. No ponga nada de peso encima del cable de alimentación. Un cable de alimentación dañado puede producir descargas eléctricas o electrocutar.
- Mantenga la unidad en condiciones óptimas. Mantenga el área del ventilador limpia para un desempeño óptimo y más seguro. Los filtros atorados pueden aumentar las posibilidades de que se produzcan incendios o explosiones. Siga todas las instrucciones para cambiar y limpiar filtros. Antes de arrancar la unidad, verifique que las áreas de entrada y salida estén despejadas. Si las áreas de entrada o salida están atoradas, pueden producirse explosiones y/o incendios.
- Mantenga los brazos, las manos y los dedos alejados del ventilador. Para prevenir lesiones, evite exponerse a las piezas rotativas.
- No haga funcionar esta unidad sin antes colocar y fijar en su lugar la bolsa de colección de polvo. El aserrín y otros desechos tienen el potencial para producir incendios y/o explosiones, y además pueden causar problemas de inhalación.
- Es posible que hayan descargas de estática en áreas secas o cuando la humedad relativa del aire sea baja. Esto es sólo temporal y no afecta el uso de la aspiradora. Para reducir la frecuencia de estas descargas, aumente la humedad ambiental con un humidificador instalado o portátil.

- Para evitar la combustión espontánea, vacíe el depósito luego de cada uso.
- Revise bien la bolsa de polvo para verificar que no tenga cortes, rasgones o roturas. Cambie bolsas o mangueras de aspirado que estén dañadas. El aserrín y otros desechos tienen el potencial para producir incendios y/o explosiones, y además pueden causar problemas de inhalación.
- No intente quitar o cambiar la(s) bolsa(s) de colección de polvo mientras la unidad esté enchufada. Las aspas expuestas del ventilador pueden causar lesiones graves.
- Almacene esta unidad en un lugar que elimine el potencial de daños al cable de alimentación. Un cable de alimentación dañado puede producir descargas eléctricas o electrocutar. Tenga cuidado al guardar el cable de alimentación de la unidad de modo que elimine las posibilidades de que alguien tropiece con él.
- **▲ PELIGRO: PELIGRO DE LACERACIÓN GRAVE.** Ponga la unidad en "off," desenchufe la unidad de la fuente de alimentación eléctrica y espere 2-1/2 minutos para permitir que las piezas de rotación internas se detengan completamente antes de instalar o quitar accesorios, ajustar o cambiar configuraciones, despejar obstrucciones o hacer reparaciones. Un arranque accidental puede causar lesiones graves.
- Ponga la unidad en "OFF", desenchúfela de la toma de corriente y limpie la mesa o el área de trabajo antes de apartarse de ella.
- NO acerque los ojos a la salida del colector de polvo cuando esté en funcionamiento.
- MANTENGA SU ÁREA DE TRABAJO LIMPIA Y BIEN ILUMINADA. Los accidentes abundan en las mesas de trabajo desordenadas y áreas oscuras.
- EVITE EL CONTACTO CORPORAL CON SUPERFICIES CONECTADAS A TIERRA, TALES COMO TUBERÍAS, RADIADORES, COCINAS Y REFRIGERADORES. Existe un mayor riesgo de descarga eléctrica si su cuerpo está conectado a tierra.
- Alguna madera contiene preservantes que pueden ser tóxicos. Tenga especial cuidado para prevenir la inhalación y el contacto con la piel cuando trabaje con estos materiales. Solicite y siga cualquier información de seguridad que su proveedor de materiales ponga a su disposición.

▲ ADVERTENCIA: Siempre use protección ocular. Todo usuario o persona circunstante deberá utilizar protección ocular en conformidad con ANSI Z87.1.

▲ ADVERTENCIA: Siempre use protección auditiva personal en conformidad con ANSI S12.6 (S3.19) durante el uso de este aparato. Bajo algunas condiciones y duraciones de uso, el ruido producido por este producto puede contribuir a la pérdida auditiva.

▲ ADVERTENCIA: Use SIEMPRE gafas de seguridad. Los anteojos de diario NO SON gafas de seguridad. Utilice además una cubrebocas o mascarilla antipolvo si la operación de corte genera demasiado polvo. SIEMPRE LLEVE EQUIPO DE SEGURIDAD CERTIFICADO:

- Protección ocular ANSI Z87.1 (CAN/CSA Z94.3),
- Protección auditiva ANSI S12.6 (S3.19),
- protección respiratoria NIOSH/OSHA/MSHA.

▲ ADVERTENCIA: Este producto contiene químicos, incluyendo el plomo, que el estado de California sabe producen cáncer, defectos de nacimiento y otros tipos de daño reproductivo. Lávese las manos después de utilizar este producto.

▲ ADVERTENCIA: Algunos tipos de polvo contienen químicos que el estado de California sabe producen cáncer, defectos de nacimiento y otros tipos de daño reproductivo. Algunos ejemplos de estos químicos son:

- Compuestos de fertilizantes
- Compuestos de insecticidas, herbicidas y pesticidas
- Arsénico y cromo proveniente de madera tratada químicamente.

Para reducir su exposición a estos químicos, use equipo de seguridad aprobado tal como máscaras antipolvo diseñadas especialmente para filtrar partículas microscópicas.

GUARDE ESTAS INSTRUCCIONES
Refiérase a ellas con frecuencia y utilícelas para adiestrar a otros.

CONEXIONES A LA FUENTE DE ALIMENTACIÓN

Debe utilizarse un circuito eléctrico independiente para las máquinas. Un circuito apropiado consiste en una instalación a un cable de AWG12/3 en la que el hilo a tierra está conectado a una masa. El circuito debería estar protegido por un interruptor de circuitos o por un fusible temporizado. **NOTA:** Los fusibles de acción retardada deben estar marcados “D” en Canadá y “T” en EE.UU. Si se utiliza un cordón de extensión, utilice únicamente cordones de extensión de tres alambres que tengan enchufes de tipo de conexión a tierra con tres terminales y un receptáculo coincidente que acepte el enchufe de la máquina. Antes de conectar el máquina a la línea de alimentación, asegúrese de que el interruptor(s) esté en la posición de “APAGADO” y cerciórese de que la corriente eléctrica tenga las mismas características que las que estén indicadas en la máquina. Todas las conexiones a la línea de alimentación deben hacer buen contacto. El funcionamiento a bajo voltaje dañará el máquina.

▲ PELIGRO: PELIGRO DE DESCARGA ELÉCTRICA. No exponga la máquina a la lluvia ni la utilice en lugares húmedos.

VOLTAJE Y DIFERENCIALES

ESPECIFICACIONES

Voltaje.....	120/240	Hercios.....	60
Fase.....	Monofásico	Requisito mínimo para circuitos derivados.....	15 amperios
Tipo de fusible.....	Fusible de retardo		

▲ ATENCIÓN: Riesgo de recalentamiento. Algunos motores eléctricos pueden operarse en un circuito de 15 amperios si se cumplen las siguientes condiciones.

- El abastecimiento de voltaje al circuito debe ser en conformidad con el Código Eléctrico Nacional.
- El circuito no es utilizado para abastecer ninguna otra necesidad eléctrica.
- Los alargadores utilizados deben estar conformes con las especificaciones.
- El circuito viene con un cortacircuitos de 15 amperios o con un fusible de retardo de 15 amperios. **NOTA:** Si el motor está conectado a un circuito protegido por fusibles, utilice sólo fusibles de retardo. Los fusibles de retardo vienen marcados con una “D” en Canadá y con una “T” en los EE.UU.

Si no se puede cumplir con alguna de las condiciones anteriores, o si el funcionamiento del motore eléctrico produce la interrupción recurrente de la energía eléctrica, es posible que sea necesario operarlo en un circuito de 20 amperios. No es necesario cambiar el cable.

ESPECIFICACIONES DEL MOTOR

La máquina está cableada para corriente alterna de 120/240 V, 60 Hz. Antes de conectar la máquina a la fuente de alimentación, asegúrese de que el interruptor esté en la posición de apagado.

INSTRUCCIONES DE CONEXIÓN A TIERRA

▲ PELIGRO: PELIGRO DE DESCARGA ELÉCTRICA. Esta máquina debe estar conectada a tierra mientras se esté utilizando, para proteger al operador contra las descargas eléctricas.

1. Todas las máquinas conectadas con cordón conectadas a tierra:

En caso de mal funcionamiento o avería, la conexión a tierra proporciona una ruta de resistencia mínima para la corriente eléctrica, con el fin de reducir el riesgo de descargas eléctricas. Esta máquina está equipada con un cordón eléctrico que tiene un conductor de conexión a tierra del equipo y un enchufe de conexión a tierra. El enchufe debe enchufarse en un tomacorriente coincidente que esté instalado y conectado a tierra adecuadamente, de acuerdo con todos los códigos y ordenanzas locales.

No modifique el enchufe suministrado. Si el enchufe no cabe en el tomacorriente, haga que un electricista calificado instale el tomacorriente apropiado.

La conexión inapropiada del conductor de conexión a tierra del equipo puede dar como resultado riesgo de descargas eléctricas. El conductor con aislamiento que tiene una superficie exterior de color verde con o sin franjas amarillas es el conductor de conexión a tierra del equipo. Si es necesario reparar o reemplazar el cordón eléctrico o el enchufe, no conecte el conductor de conexión a tierra del equipo a un terminal con corriente.

Consulte a un electricista competente o a personal de servicio calificado si no entiende completamente las instrucciones de conexión a tierra o si tiene dudas en cuanto a si la máquina está conectada a tierra apropiadamente.

Utilice únicamente cordones de extensión de tres alambres que tengan enchufes de tipo de conexión a tierra con tres terminales y receptáculos de tres conductores que acepten el enchufe de la máquina, tal como se muestra en la Fig. A. Repare o reemplace inmediatamente los cordones dañados o desgastados.

2. Máquinas conectadas con cordón conectadas a tierra diseñadas para utilizarse en un circuito de alimentación que tenga una capacidad nominal de menos de 150 V:

Si la máquina está diseñada para utilizarse en un circuito que tenga un tomacorriente parecido al que se ilustra en la Fig. A, la máquina tendrá un enchufe de conexión a tierra que se parece al enchufe ilustrado en la Fig. A. Puede utilizarse un adaptador temporal, que se parece al adaptador ilustrado en la Fig. B, para conectar este enchufe a un receptáculo coincidente de dos conductores, tal como se muestra en la Fig. B, si no se dispone de un tomacorriente conectado a tierra apropiadamente. El adaptador temporal debe utilizarse solamente hasta que un electricista calificado pueda instalar un tomacorriente conectado a tierra apropiadamente. La orejeta, lengüeta, etc., rígida de color verde que sobresale del adaptador debe conectarse a una toma de tierra permanente, como por ejemplo una caja tomacorriente conectada a tierra adecuadamente. Siempre que se utilice un adaptador, debe sujetarse en su sitio con un tornillo de metal.

NOTA: En Canadá, el uso de un adaptador temporal no está permitido por el Código Eléctrico Canadiense.

⚠ PELIGRO: PELIGRO DE DESCARGA ELÉCTRICA. En todos los casos, asegúrese de que el receptáculo en cuestión esté conectado a tierra adecuadamente. Si no está seguro, haga que un electricista calificado compruebe el receptáculo.

3. Operación de una sola fase con 240 voltios

El motor provisto con su máquina es de doble voltaje, es decir de 120/140 voltios. Viene listo para su funcionamiento en operaciones de 120 voltios. Sin embargo, se puede convertir para operaciones de 240 voltios.

La conversión debe ser realizada por un electricista calificado, o se puede llevar la máquina a un centro de mantenimiento autorizado DELTA. Cuando esté completa esta conversión, la máquina debe cumplir con el Código Eléctrico Nacional, y con todos los códigos y ordenanzas locales.

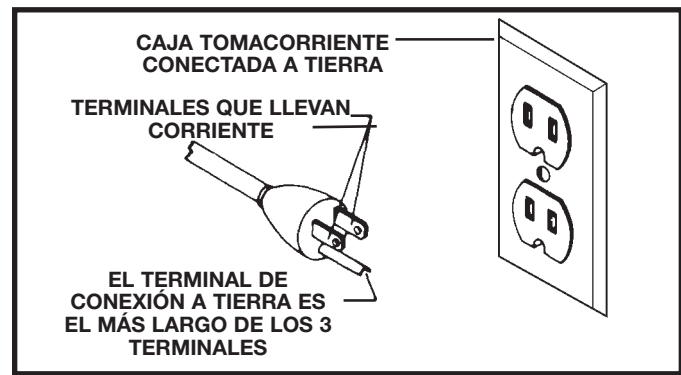


FIG. A

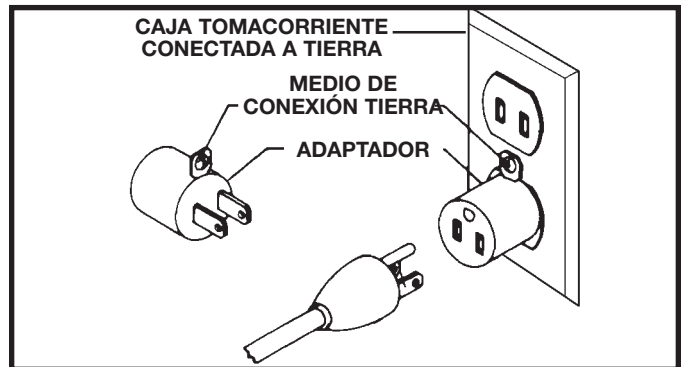


FIG. B

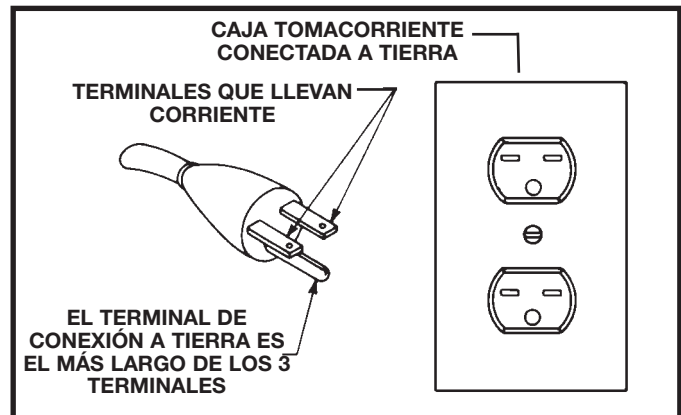


FIG. C

Para convertir la máquina, se realiza un nuevo cableado del motor para 240 voltios y luego se instala un enchufe para 240 voltios en el cable de la fuente de energía.

Asegúrese de que el enchufe de 240 voltios sólo se use en un tomacorriente que tenga la misma configuración que el enchufe ilustrado en la figura C. No se debe usar un adaptador con el enchufe de 240 voltios.

⚠ ADVERTENCIA: PELIGRO DE DESCARGA ELÉCTRICA. En todos los casos, asegúrese de que el receptáculo en uso esté conectado a tierra correctamente. Si no está seguro, contrate a un electricista calificado para que verifique el receptáculo.

CORDONES DE EXTENSIÓN

▲ ADVERTENCIA: Utilice cordones de extensión apropiados. Asegúrese de que el cordón de extensión esté en buenas condiciones y de que sea un cordón de extensión de tres alambres que tenga un enchufe de tipo de conexión a tierra con tres terminales y un receptáculo coincidente que acepte el enchufe de la máquina. Cuando utilice un cordón de extensión, asegúrese de emplear un cordón que sea lo suficientemente pesado como para llevar la corriente de la máquina. Un cordón de tamaño insuficiente causará una caída de la tensión de la línea eléctrica que dará como resultado pérdida de potencia y recalentamiento. En la Fig. D1 o D2 se muestra el calibre correcto que debe utilizarse dependiendo de la longitud del cordón. En caso de duda, utilice el siguiente calibre más pesado. Cuanto más pequeño sea el número de calibre, más pesado será el cordón.

CORDÓN DE EXTENSIÓN DE CALIBRE MÍNIMO			
TAMAÑOS RECOMENDADOS PARA USO CON MÁQUINAS ELÉCTRICAS ESTACIONARIAS			
Capacidad Nominal En Amperios	Voltios	Longitud Total Del Cordon En Pies	Calibre Del Cordon De Extensión
0-6	120	Hasta 25	18 AWG
0-6	120	25-50	16 AWG
0-6	120	50-100	16 AWG
0-6	120	100-150	14 AWG
6-10	120	Hasta 25	18 AWG
6-10	120	25-50	16 AWG
6-10	120	50-100	14 AWG
6-10	120	100-150	12 AWG
10-12	120	Hasta 25	16 AWG
10-12	120	25-50	16 AWG
10-12	120	50-100	14 AWG
10-12	120	100-150	12 AWG
12-16	120	Hasta 25	14 AWG
12-16	120	25-50	12 AWG
12-16	120	NO SE RECOMIENDA LONGITUDES MAYOR DE 50 PIES	

Fig. D-1

CORDÓN DE EXTENSIÓN DE CALIBRE MÍNIMO			
TAMAÑOS RECOMENDADOS PARA USO CON MÁQUINAS ELÉCTRICAS ESTACIONARIAS			
Capacidad Nominal En Amperios	Voltios	Longitud Total Del Cordon En Pies	Calibre Del Cordon De Extensión
0-6	240	Hasta 50	18 AWG
0-6	240	50-100	16 AWG
0-6	240	100-200	16 AWG
0-6	240	200-300	14 AWG
6-10	240	Hasta 50	18 AWG
6-10	240	50-100	16 AWG
6-10	240	100-200	14 AWG
6-10	240	200-300	12 AWG
10-12	240	Hasta 50	16 AWG
10-12	240	50-100	16 AWG
10-12	240	100-200	14 AWG
10-12	240	200-300	12 AWG
12-16	240	Hasta 50	14 AWG
12-16	240	50-100	12 AWG
12-16	240	NO SE RECOMIENDA LONGITUDES MAYOR DE 50 PIES	

Fig. D-2

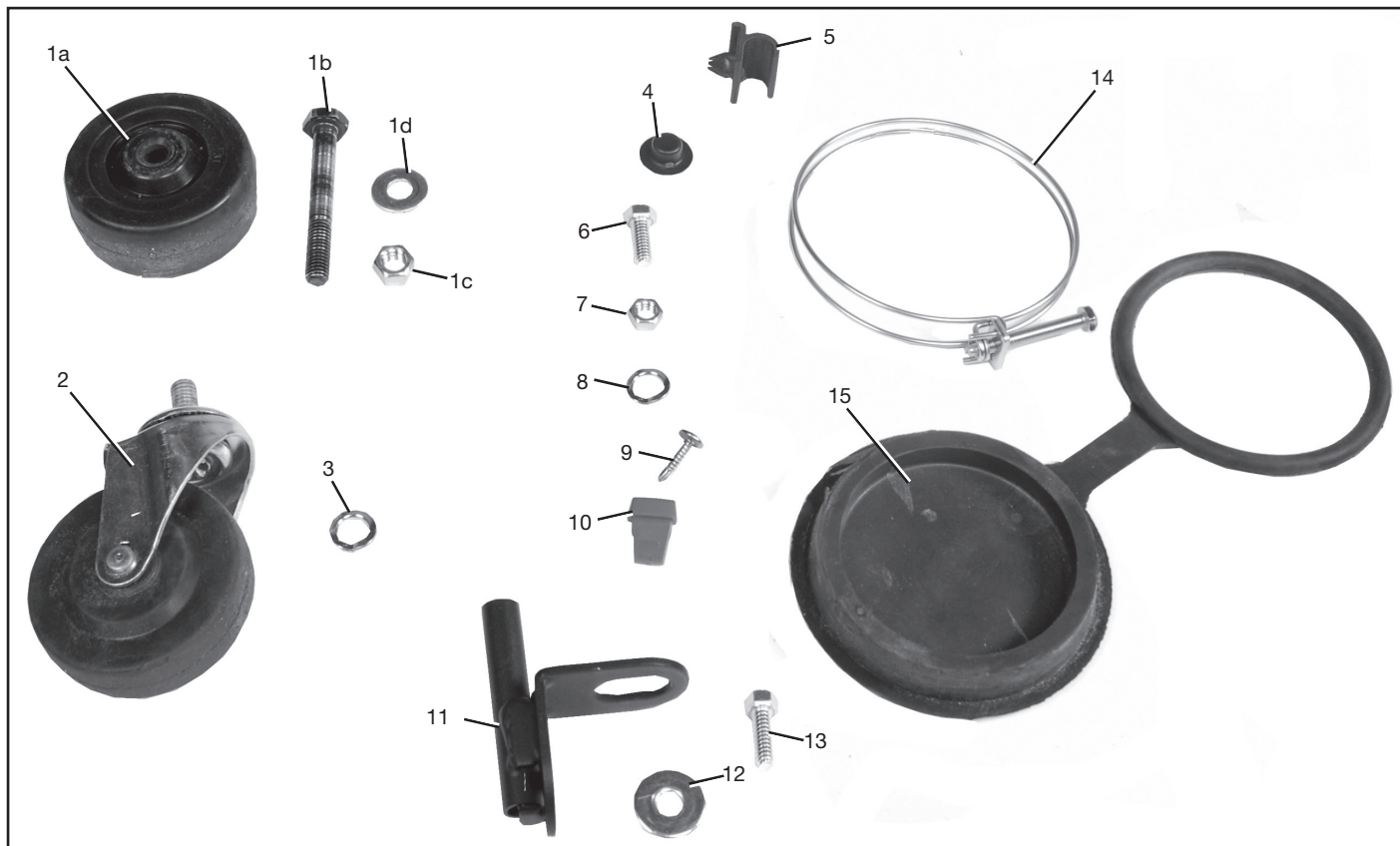
DESCRIPCIÓN FUNCIONAL

PROLOGO

El recolector de polvo para uso industrial modelo 50-786 de DELTA se conectará a las máquinas de carpintería que acepten una manguera de 101,6 mm (4 pulg.) de diámetro. El 50-786 viene con una bolsa de filtro de 1 micra, dos bolsas recolectoras plásticas de 6 mil y una manguera recolectora de 101,6 mm x 152,4 cm (4 pulg. x 5 pies).

NOTA: El cuadro en la cubierta ilustra el modelo actual de la producción. Todas las demás ilustraciones son solamente representativas y es posible que no muestren el color, el etiquetado y los accesorios reales.

CONTENIDO DE CARTON



1. a. Ruedas fijas
b. Pernos de cabeza hexagonal de 3/8 pulg. x 63,5 mm (2-1/2 pulg.) (2)
c. Tuercas de lock de 3/8 pulg. (2)
d. Arandelas planas de 3/8 pulg. (4)
2. Ruedas pivotantes (2)
3. Arandelas de presión de 3/8 pulg. (2)
4. Tuercas de retención (2)
5. Ganchos retenedores del mango (2)
6. Pernos de cabeza hexagonal de 5/16 pulg. x 19 mm (3/4 pulg.) (20)
7. Tuercas hexagonales de 5/16 pulg. (14)
8. Arandelas de presión de 5/16 pulg. (20)
9. Tornillos metálicos de chapa #8 x 19 mm 3/4 pulg. autorroscantes (4)
10. Basculante del interruptor
11. Soporte para varilla de colgar la bolsa
12. Arandela plana de 5/16 pulg. y gran diámetro exterior (1)
13. Perno de cabeza hexagonal de 5/6 pulg. x 25.4 mm (1 pulg.)
14. Abrazadera de manguera (2)
15. Tapa de la admisión de polvo y anillo (2)



16. Conjunto de motor y soplador
17. Base
18. Manguera
19. Mango
20. Adaptador para admisión
21. Paneles frontales y laterales (3)
22. Panel transversal (2)
23. Bolsa inferior (2)
24. Anillo retenedor de bolsa cubierto con paño
25. Bolsa superior

DESEMPAQUETADO Y LIMPIEZA

Desembale cuidadosamente la máquina y todos los elementos sueltos del o los contenedores de envío. Retire el aceite anticorrosivo de las superficies sin pintura con un paño suave humedecido con alcohol mineral, solvente o alcohol desnaturalizado.

AVISO: No use solventes volátiles como gasolina, nafta, acetona o solvente de barniz para limpiar la máquina.

Luego de limpiar, cubra las superficies sin pintura con cera en pasta de buena calidad que se utiliza para los pisos del hogar.

ENSAMBLE

▲ ADVERTENCIA: Para reducir el riesgo de lesiones personales graves, apague la herramienta y desconéctela de la fuente de alimentación antes de instalar y retirar accesorios, ajustar o cambiar configuraciones o realizar reparaciones. Un arranque accidental podría causar lesiones.

HERRAMIENTAS DE ENSAMBLE REQUERIDAS ESTIMACIÓN DEL TIEMPO DE ENSAMBLE

Destornillador de cruz (no incluido)

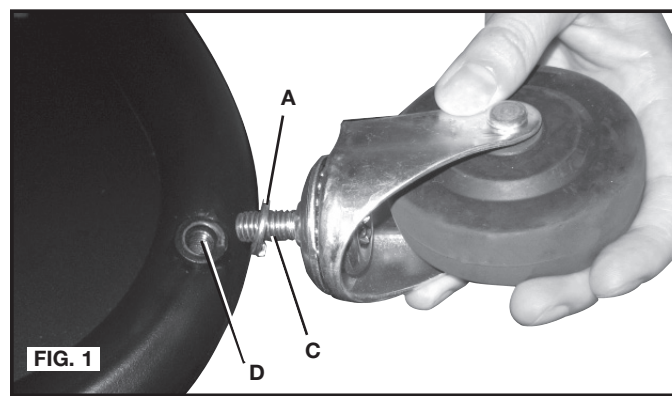
Llaves de boca de 12 mm (no proporcionado)

La asamblea para esta máquina es más o menos una hora.

CÓMO MONTAR LAS RUEDAS EN LA BASE

RUEDAS PIVOTANTES (FIG. 1, 2)

1. Coloque la arandela de fijación de 3/8 de pulg. (A) en el vástago de la rueda (C).
2. Inserte el espárrago de la rueda pivotante en el orificio roscado en la base — uno se muestra en (D)— y apriete.
3. Apriete la base de la rueda pivotante con una llave o con unas tenacillas, como lo muestra la Figura 2.
4. Repita para otra ruedecilla.

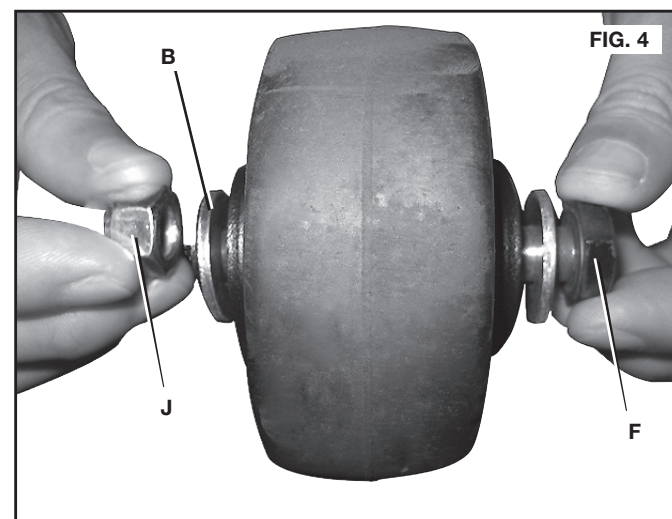
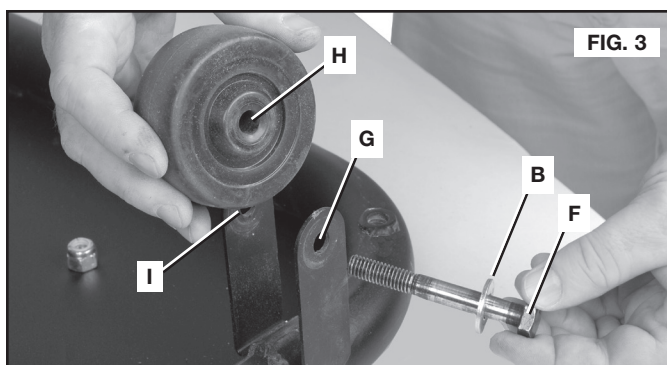


RUEDAS FIJAS (FIG. 3, 4)

1. Coloque la arandela plana de 3/8 pulg. (B) sobre un perno de cabeza hexagonal de 3/8 pulg. x 63,5 mm 2-1/2 pulg. (F).
2. Inserte el perno de cabeza hexagonal a través del orificio (G) en el soporte para montaje de la rueda, a través del orificio central (H) de la rueda y a través del otro orificio (I) en el soporte para montaje de la rueda.
3. Coloque la arandela plana de 3/8 de pulg. (B) y la tuerca de fijación de 3/8 de pulg. (J) en el perno hexagonal (F) y ajústela.

NOTA: No ajuste la tuerca de fijación (J) demasiado en el perno (F). Verifique que la rueda todavía pueda girar sin problemas.

4. Repita para otra rueda fija.



CÓMO FIJAR LOS PANELES LATERALES A LA BASE (FIG. 5-8)

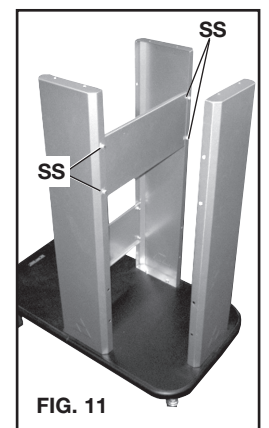
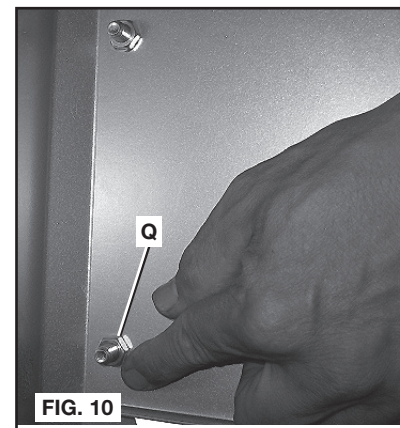
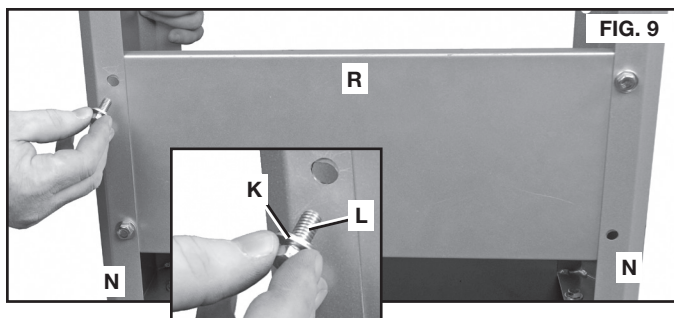
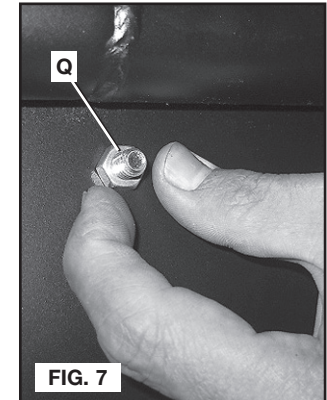
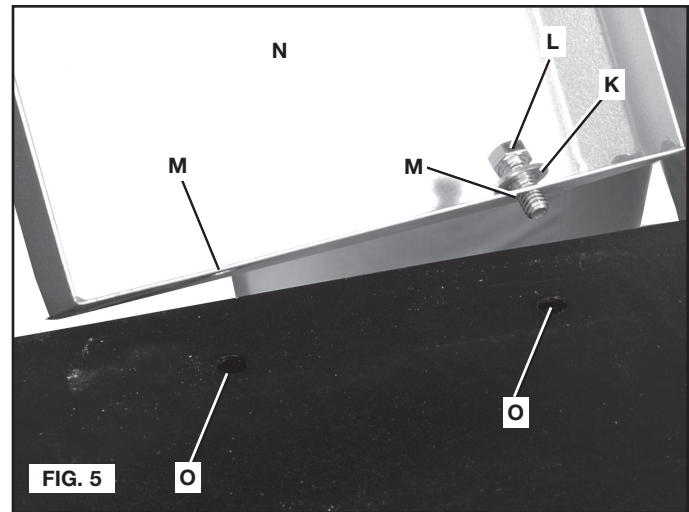
1. Coloque la arandela de fijación de 5/16 de pulg. (K) en el perno hexagonal de 5/16 x 3/4 de pulg. (19 mm) (L).
2. Alinee los orificios (M) en el panel lateral (N) con los orificios (O) en la placa base.
NOTA: Cercíese de que el panel lateral esté orientado como lo muestra la Figura 6.
3. Coloque el conjunto de perno de cabeza hexagonal y arandela a través del orificio (M) en el panel lateral y el orificio (O) en la base.
4. Fije el panel lateral a la base por debajo de la base con una tuerca hexagonal de 5/16 pulg. (Q).
5. Repita para otros orificios en el panel lateral y la base.
6. Repita los pasos anteriores para el otro panel lateral. Los dos paneles se muestran correctamente armados en la Figura 8.

NOTA: HASTA ESTE PUNTO APRIETE LOS ACCESORIOS DE MONTAJE ÚNICAMENTE CON LA MANO. Los accesorios de montaje serán apretados posteriormente en un orden determinado.

FIJACIÓN DE LOS PANELES TRANSVERSALES A LOS PANELES LATERALES (FIG. 9-11)

1. Coloque la arandela de fijación de 5/16 de pulg. (K) (recuadro) en el perno hexagonal de 5/16 x 3/4 de pulg. (19 mm) (L).
2. Alinee cuatro orificios del panel transversal (R) con cuatro orificios inferiores en los paneles laterales (N).
3. Inserte el conjunto de perno de cabeza hexagonal y arandela - (L) y (K) inserto - a través de los orificios en los paneles laterales (N), y luego a través de los orificios en el panel transversal (R).
4. Fije el panel transversal al panel lateral con una tuerca hexagonal de 5/16 de pulg. (Q).
5. El panel transversal armado se muestra en la Figura 11.
6. Arme el panel transversal superior de la misma manera en los orificios (SS).

NOTA: HASTA ESTE PUNTO APRIETE LOS ACCESORIOS DE MONTAJE ÚNICAMENTE CON LA MANO. Los accesorios de montaje serán apretados posteriormente en un orden determinado.



CÓMO FIJAR EL PANEL FRONTAL A LA BASE (FIG. 12-15)

1. Coloque la arandela de fijación de 5/16 de pulg. (K) en el perno hexagonal de 5/16 x 3/4 de pulg. (19 mm) (L).
2. Alinee los orificios en el panel frontal (N) con los orificios en la placa base (S), como lo muestra la Figura 12.

NOTA: Cerciórese de que el panel frontal esté orientado como lo muestra la Figura 13.

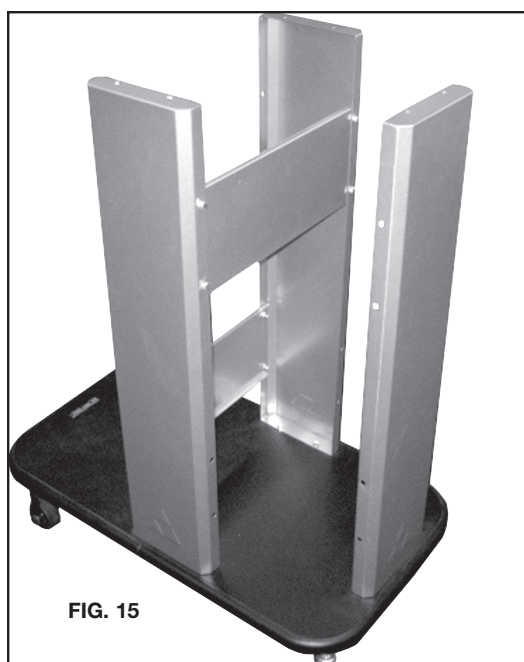
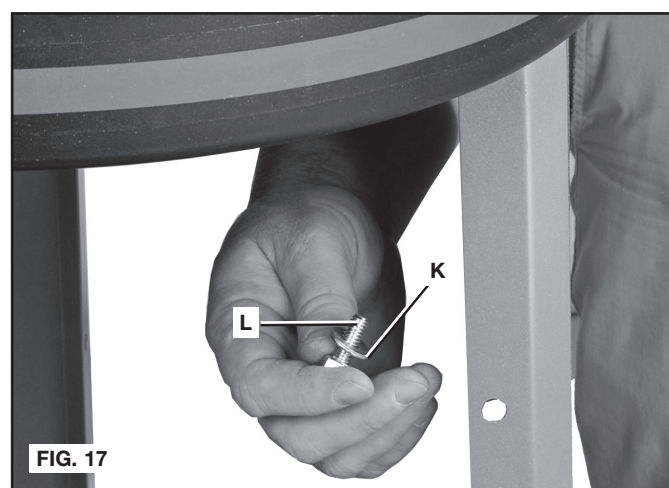
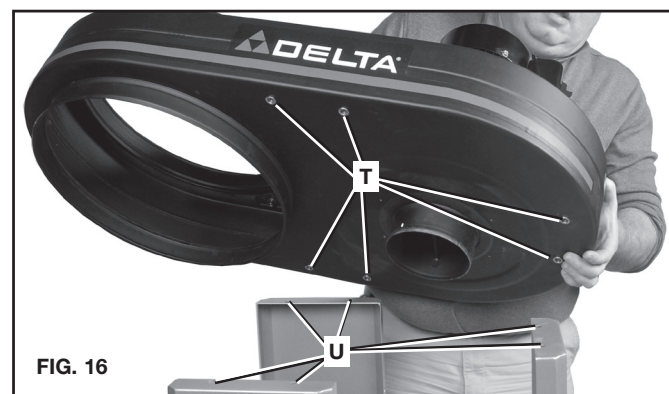
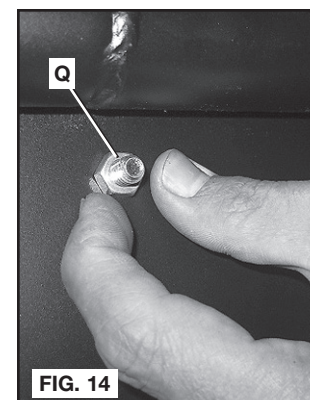
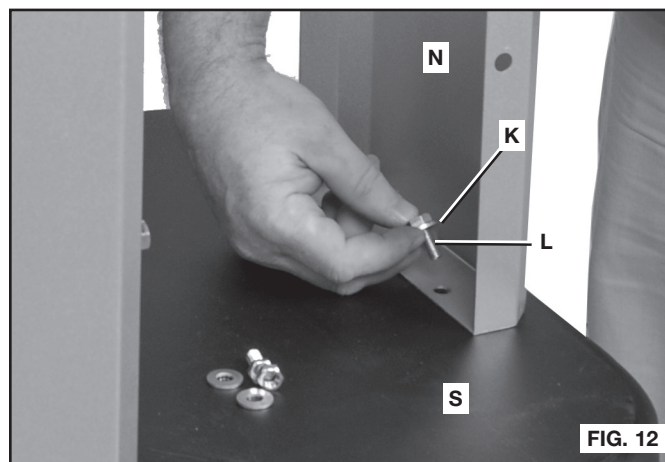
3. Coloque el conjunto de perno de cabeza hexagonal y arandela a través de los orificios en el panel frontal (N) y la placa base (S).
4. Fije el panel frontal a la base por debajo de la base con una tuerca hexagonal de 5/16 pulg. (Q).
5. Repita para otros orificios en el panel frontal y la base.
6. Los paneles frontales y laterales se muestran correctamente armados en la Figura 15.

NOTA: HASTA ESTE PUNTO APRIETE LOS ACCESORIOS DE MONTAJE ÚNICAMENTE CON LA MANO. Los accesorios de montaje serán apretados posteriormente en un orden determinado.

FIJE EL MOTOR/SOPLADOR AL SOPORTE (FIG. 16, 17)

1. Coloque la carcasa del motor/soplador sobre la parte de arriba del soporte. Alinee los orificios (T) en la carcasa con los orificios (U) en el soporte.
2. Coloque la arandela de fijación de 5/16 de pulg. (K) en el perno hexagonal de 5/16 x 3/4 de pulg. (19 mm) (L).
3. Inserte el conjunto de arandela/perno a través de los orificios (U) en el soporte e inserte el perno en los orificios roscados (T) de la carcasa del motor/soplador. Apriete solamente a mano.
4. Repita para los cinco orificios restantes.

NOTA: HASTA ESTE PUNTO APRIETE LOS ACCESORIOS DE MONTAJE ÚNICAMENTE CON LA MANO. Los accesorios de montaje serán apretados posteriormente en un orden determinado.



APRIETE TODOS LOS ACCESORIOS DE MONTAJE EN FORMA SECUENCIAL (FIG. 18, 19)

Utilizando una llave de 12 mm (no se incluye), apriete los accesorios de montaje en este orden:

1. Apriete seis pernos sobre la carcasa del motor/soplador.
2. Apriete los seis pernos en total que fijan los paneles laterales y frontales a la base.
3. Apriete los cuatro pernos que fijan el panel transversal a los paneles laterales.

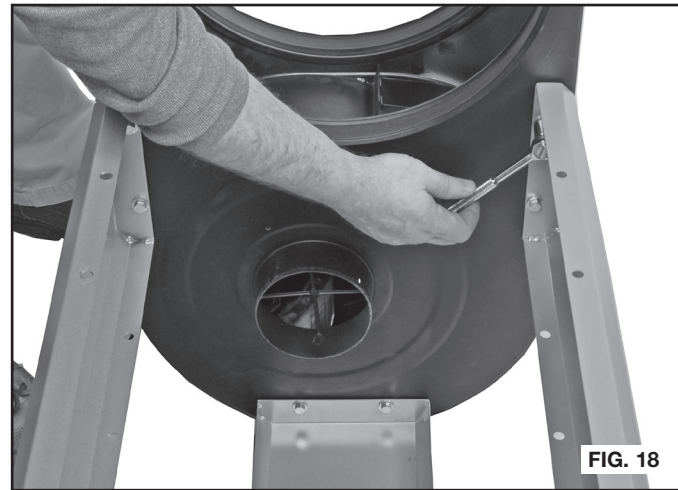


FIG. 18



FIG. 19

CÓMO INSTALAR EL ADAPTADOR PARA ADMISIÓN (FIG. 20, 21)

Alinee cuatro orificios — uno de ellos se muestra en (V) — en el adaptador para admisión con los cuatro orificios — uno de ellos se muestra en (W) — debajo de carcasa del motor/soplador. Fije el adaptador para admisión con cuatro tornillos autorroscantes #8 en los cuatro orificios.

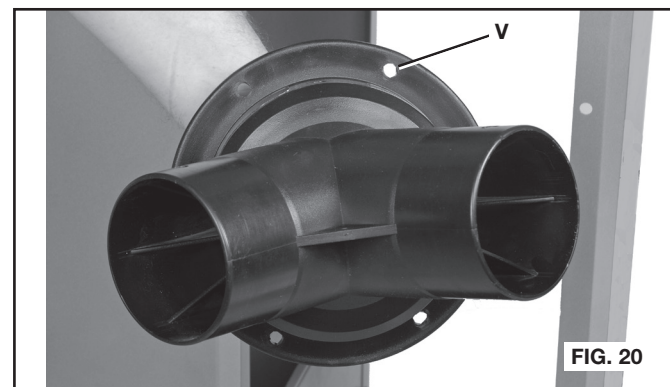


FIG. 20

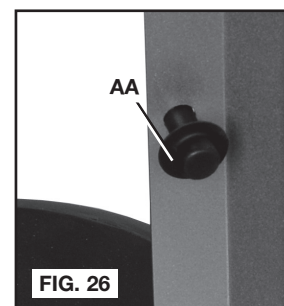
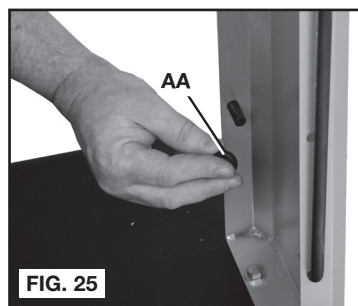
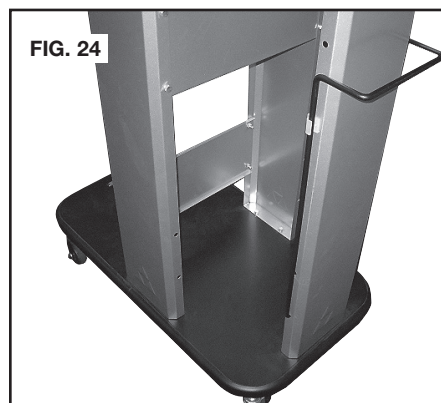
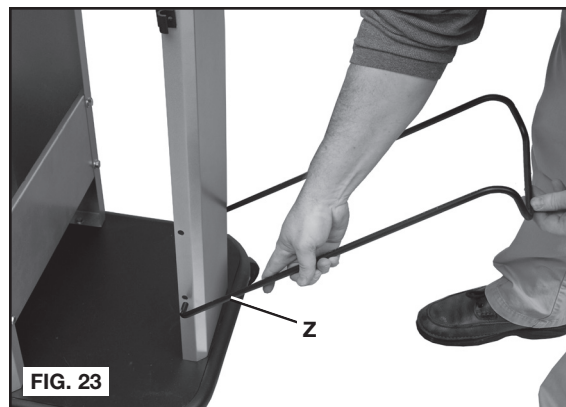
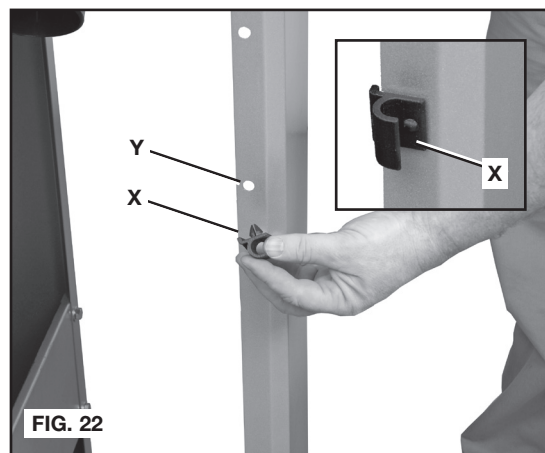


FIG. 21

CÓMO INSTALAR LA AGARRADERA (FIG. 22-26)

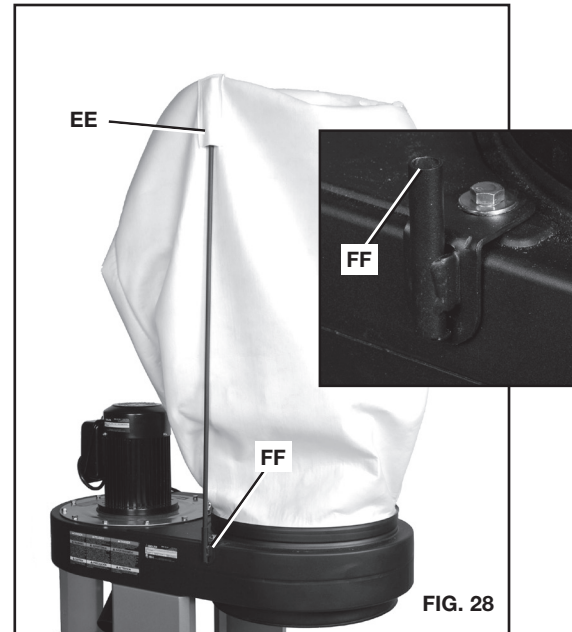
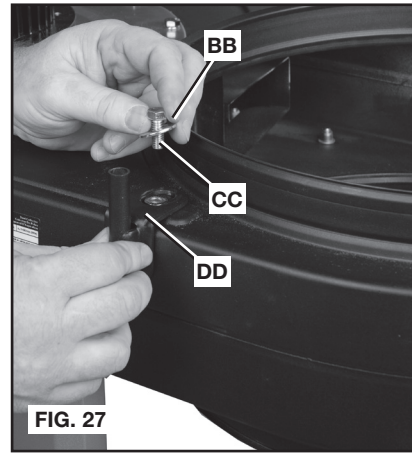
1. Fije el gancho retenedor de la agarradera (X) en el segundo orificio (Y) desde la parte de arriba del panel frontal.
2. Oriente el gancho (X) como se muestra en el inserto, con la abertura mirando al lado contrario al recolector de polvo.
3. Repita para el otro gancho retenedor en el otro lado del panel frontal.
4. Oriente la agarradera como lo muestra la Figura 23.
5. Coloque los extremos de la agarradera (Z) a través de orificios inferiores en ambos lados del panel frontal, como lo muestra la Figura 23.
6. Los ganchos deberían sostener la agarradera, como lo muestra la Figura 24.
7. Empuje firmemente las tuercas retenedoras no removibles (AA) sobre los extremos de la agarradera que sobresalen dentro del panel frontal.

NOTA: Estas tuercas (AA) no son removibles. Cerciñese de que la agarradera esté orientada en forma apropiada antes de instalarlas.



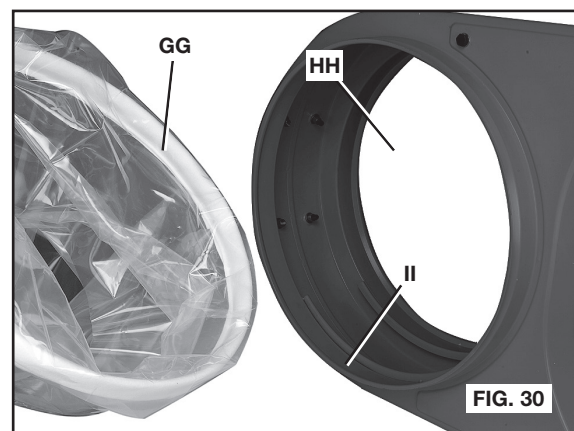
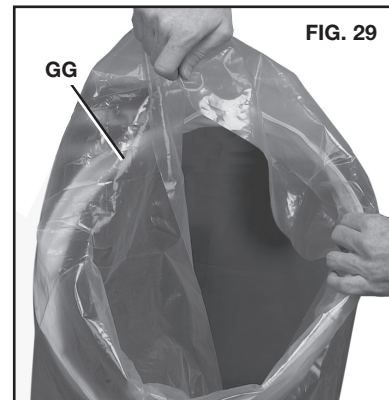
CÓMO FIJAR LA BOLSA DE FILTRO SUPERIOR (FIG. 27, 28)

1. Coloque una arandela plana de 5/16 pulg. grande (BB) sobre un perno de cabeza hexagonal (CC) de 5/16 pulg. x 25.4 mm (1 pulg.).
2. Posicione el soporte (DD) sobre el recolector de polvo.
3. Inserte el perno a través del orificio en el soporte; a continuación enrósquelo en el orificio en el recolector de polvo. Ajuste firmemente con una llave de 12 mm.
4. Inserte la varilla en el bolsillo (EE) sobre la bolsa de filtro.
6. Inserte la varilla en el orificio en el soporte (FF) (inserto).
7. Ajuste el extremo abierto de la bolsa de filtro en el surco superior del tambor del recolector de polvo hasta que quede asegurado y sellado. Doble y pliegue, si es necesario, el anillo interno retenedor de la bolsa para ajustarlo en su lugar.



CÓMO FIJAR LA BOLSA RECOLECTORA DE POLVO (FIG. 29, 30)

1. Pase la bolsa transparente recolectora de polvo a través del medio del anillo retenedor de bolsa cubierto con paño (GG). Doble aprox. 152,4 mm (6 pulg.) de la bolsa hacia abajo alrededor del anillo retenedor.
2. Coloque la bolsa arriba en el orificio de gran tamaño (HH) en el conjunto de motor/soplador. Acomode el anillo retenedor (GG) en el surco inferior (II). Doble y pliegue el anillo para acomodarlo en su lugar.
3. Tire ligeramente de la bolsa para eliminar cualquier holgura y para asegurarse de que la bolsa esté asegurada y que no se separará durante la recolección.



CÓMO CONECTAR LA MANGUERA A LA LUMBRERA DE ADMISIÓN (FIG. 31, 32)

El modelo 50-786 ofrece dos lumbreras para el polvo de 101,6 mm (4 pulg.).

Si no se utiliza una lumbrera de admisión, selle esta lumbrera abierta utilizando la tapa de la admisión de polvo incluida. Para instalar la tapa de la admisión de polvo:

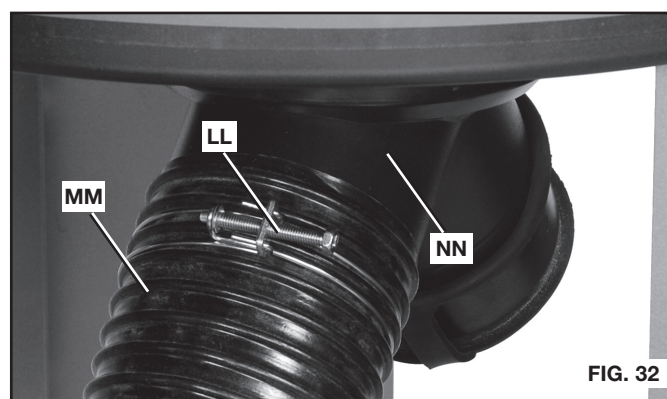
Coloque el extremo abierto (JJ) de los anillos de la tapa de la admisión y sobre el extremo de una lumbrera de admisión de polvo antes de conectar la manguera a la otra. Cubra la lumbrera de admisión abierta con la tapa de la admisión plana (KK).

Para fijar la manguera:

Fije sin apretar la abrazadera de manguera (LL) sobre un extremo de la manguera flexible (MM). Fije la manguera a la lumbrera de admisión de polvo (NN) y apriete la abrazadera de manguera (LL).

Utilice la otra abrazadera de manguera para fijar el otro extremo de la manguera flexible a la máquina de carpintería.

NOTA: No opere el recolector de polvo sin estar cubiertas todas las lumbreras de admisión de polvo (NN).



OPERACIÓN

CONTROLES Y AJUSTES OPERACIONALES

▲ ADVERTENCIA: Para seguridad del operador, antes de utilizar la máquina, asegúrese de que la manguera de entrada de polvo siempre esté acoplada al orificio de entrada de polvo. El ventilador que gira, ubicado en el interior de la carcasa del soplador, es accesible a través del orificio de entrada de polvo y puede ser peligroso. Use siempre indumentaria apropiada. No use alhajas y mantenga los dedos y todos los objetos extraños fuera del orificio de entrada de polvo. Siga las normas de seguridad indicadas anteriormente en este manual.

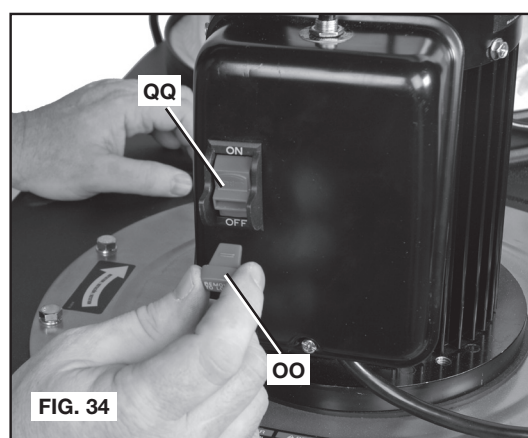
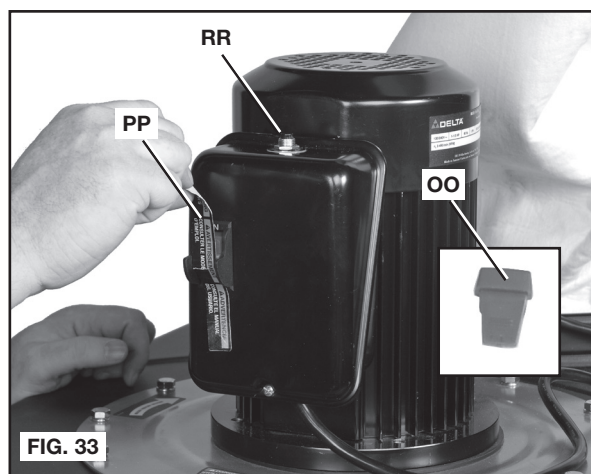
NOTA: El recolector de polvo es despachado con el basculante del interruptor de seguridad (OO) Fig. 33 removido. El basculante debe ser insertado en el interruptor de recolector de polvo, y el interruptor debe estar colocado en la posición "APAGADO" (OFF) antes de proceder con la operación.

Retire el adhesivo (PP) que cubre el interruptor antes de insertar el basculante (OO) Fig. 34 en el interruptor (QQ).

PARA ARRANCAR Y DETENER EL RECOLECTOR DE POLVO (FIG. 33)

▲ ADVERTENCIA: Asegúrese de que el interruptor esté en la posición de "APAGADO" (OFF) antes de enchufar el cable de alimentación en el tomacorriente. No toque las patas de metal del enchufe al enchufar o desenchufar el cable.

El conmutador de encendido y apagado (QQ) está ubicado sobre el lado del motor. Para encender la máquina, mueva el interruptor hacia arriba a la posición "ON". Para apagar la máquina, mueva el interruptor hacia abajo a la posición de "APAGADO" (OFF).



FIJACIÓN DEL INTERRUPTOR EN LA POSICIÓN DE APAGADO (FIG. 35, 36)

IMPORTANTE: Cuando la máquina no se esté utilizando el interruptor debería quedar bloqueado en la posición APAGADO ("OFF") para evitar el uso no autorizado. Para bloquear la máquina, deslice el basculante del interruptor (OO) la posición APAGADO ("OFF") y hágalo fuera del interruptor (QQ) como lo muestra la Figura 36. Al retirar el basculante del interruptor (OO), el interruptor no operará. Sin embargo, si se quitara el basculante del interruptor mientras que el motor esté corriendo la máquina puede ser apagada, pero no se puede volver a arrancar sin insertar el basculante del interruptor (OO).

⚠ ADVERTENCIA: En el caso de un corte eléctrico (por ejemplo por un interruptor o fusible quemados) bloquee siempre el interruptor en la posición de APAGADO ("OFF") hasta que se restablezca la energía principal.

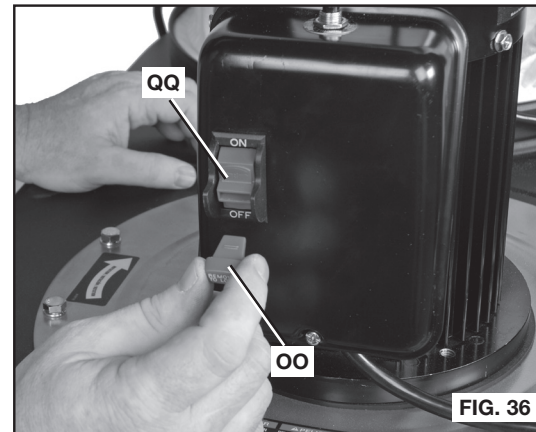
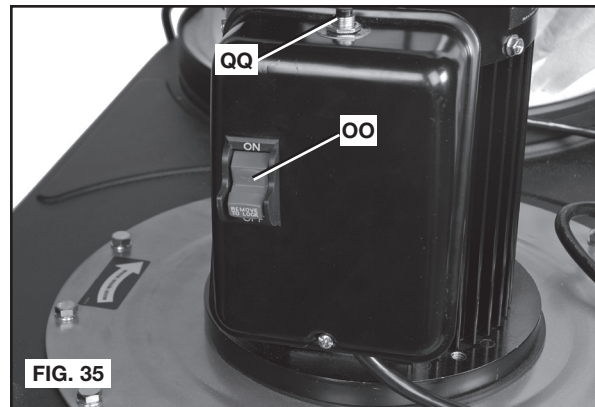
⚠ ADVERTENCIA: PELIGRO DE INCENDIO. Al usar el recolector de polvo, no aspire nada que esté en combustión, en llamas o echando humo, como fósforos, cigarrillos o cenizas calientes.

⚠ ADVERTENCIA: PELIGRO DE EXPLOSIÓN. No use la máquina para aspirar materiales explosivos combustibles, como carbón, granos o cualquier otro material combustible dividido en partículas finas.

⚠ ADVERTENCIA: PELIGRO DE SALUD. No use la máquina para aspirar materiales peligrosos, tóxicos o carcinógenos como amianto, pesticidas o residuos de pintura a base de plomo.

INTERRUPTOR AUTOMÁTICO

El motor de su recolector de polvo viene con un interruptor automático reinicial. Si el motor se apaga o no arranca debido a una sobrecarga, coloque el interruptor del recolector de polvo en la posición de APAGADO ("OFF"), deje que el motor se enfríe durante tres a cinco minutos y oprima el botón de reinicio (RR), Fig. 35, del interruptor automático para reiniciarlo. Luego, el motor puede volver a encenderse normalmente. Si la sobrecarga continúa, visite nuestro sitio Web en www.deltaportercable.com para tener acceso a una lista de centros de servicio o llame a la línea de ayuda de DELTA Machinery al (800) 223-7278. (En Canadá, llame al (800) 463-3582.)



LOCALIZACION DE FALLAS

Para obtener asistencia para su máquina, visite nuestro sitio Web en www.deltaportercable.com para tener acceso a una lista de centros de servicio o llame a la línea de ayuda de DELTA Machinery al 1 (800) 223-7278. (En Canadá, llame al 1-800-463-3582.)

MANTENIMIENTO

⚠ ADVERTENCIA: Para reducir el riesgo de lesiones personales graves, apague la herramienta y desconéctela de la fuente de alimentación antes de instalar y retirar accesorios, ajustar o cambiar configuraciones o realizar reparaciones. Un arranque accidental podría causar lesiones.

MANTENGA LA MÁQUINA LIMPIA

Periódicamente sople por todas las entradas de aire con aire comprimido seco. Todas las piezas de plástico deben limpiarse con un paño suave y húmedo. NUNCA utilice solventes para limpiar las piezas de plástico. Podrían derretirse o dañar el material.

⚠ ADVERTENCIA: Utilice equipo de seguridad certificado para proteger sus ojos, oídos y vías respiratorias cuando use aire comprimido.

FALLA EN EL ENCENDIDO

Si la máquina no enciende, verifique que las patas del enchufe del cable hagan buen contacto en el tomacorriente. Además, revise que no hayan fusibles quemados o interruptores automáticos de circuito abierto en la línea.

SERVICIO

PIEZAS DE REPUESTO

Utilice sólo piezas de repuesto idénticas. Para obtener una lista de las piezas o para solicitarlas, visite nuestro sitio Web en www.deltaportercableservicen.com. También puede solicitar piezas en una de nuestras sucursales o centros de mantenimiento con garantía autorizados más cercanos, o llamando a End User Services (Servicios para el usuario final) al (800) 223-7278 para obtener asistencia personalizada de uno de nuestros representantes altamente capacitados.

REEMPLAZO GRATUITO DE LAS ETIQUETAS DE ADVERTENCIA

Si las etiquetas de advertencia se tornan eligibles o se pierden, llame al (800) 223-7278 para reemplazarlas sin costo alguno.

	<p>⚠ WARNING</p> <p>TO REDUCE RISK OF INJURY FROM MOVING PARTS, KEEP HANDS AWAY FROM AIR INLET PORTS. ONLY OPERATE WITH INLET PORTS COVERED WITH CAPS OR CONNECTED TO FLEXIBLE HOSE. IMPELLER CONTINUES TO ROTATE AFTER DUST COLLECTOR IS TURNED OFF. MAKE SURE DUST COLLECTOR IS TURNED OFF, DISCONNECTED FROM POWER SOURCE AND THAT IMPELLER HAS STOPPED ROTATING BEFORE SERVICING OR CLEARING DUST AND CHIPS. DO NOT OPERATE WITHOUT HOSE CONNECTED TO INLET PORT AND BAGS OR CANISTER IN PLACE.</p>	<p>⚠ ADVERTENCIA</p> <p>REDUCE EL RIESGO DE SUFRIR LESIONES CAUSADAS POR LAS PIEZAS MÓVILES: MANTIENE LAS MANOS ALEJADAS DE LOS ORIFICIOS DE ENTRADA DE AIRE. OPERE ÚNICAMENTE CON LOS ORIFICIOS DE ENTRADA CUBIERTOS CON TAPAS O CONECTADOS A UNA MANGUERA FLEXIBLE. EL IMPULSOR CONTINÚA ROTANDO DESPUÉS DE QUE EL RECOLECTOR DE POLVO ESTÁ APAGADO. ASEGÚRESE DE QUE EL COLECTOR ESTE APAGADO, DESCONECTADO DE LA FUENTE DE ALIMENTACIÓN Y DE QUE EL IMPULSOR HAYA PARADO ANTES DE REALIZAR UN MANTENIMIENTO O LIMPIAR EL POLVO Y LAS ASTILLAS. NO OPERE SI LA MANGUERA NO ESTÁ CONECTADA AL ORIFICIO DE ENTRADA O LAS BOLSAS Y LOS DEPÓSITOS NO SE ENCUENTRAN EN SU LUGAR.</p>	<p>⚠ AVERTISSEMENT</p> <p>POUR RÉDUIRE LE RISQUE DE BLESSURES EN LIEN AVEC DES PIÈCES MOBILES: ÉLOIGNER LES MAINS DES ORIFICES D'ADMISSION DE L'AIR. UTILISER UNIQUEMENT AVEC LES ORIFICES D'ADMISSION RECOUVERTS DE CAPUCHONS OU RACCORDES À UN TUYAU FLEXIBLE. L'HELICE POURSUIT SON MOUVEMENT MÊME APRÈS L'ARRÊT DU DÉPOUSSEUR. S'ASSURER QUE LE DÉPOUSSEUR EST HORS TENSION, DÉBRANCHÉ ET QUE L'HELICE EST IMMOBILE AVANT DE DÉBUTER UNE RÉPARATION OU DE RETIRER LA POUSSIÈRE ET LES COPEAUX DE L'APPAREIL. NE PAS FAIRE FONCTIONNER SI LE TUYAU N'EST PAS CONNECTÉ À L'ORIFICE D'ADMISSION ET SI LES SACS OU L'ABSORBEUR NE SONT PAS EN PLACE.</p>
---	--	---	---

<p>⚠ DANGER</p> <p>SEVERE LACERATION HAZARD. DO NOT OPERATE WITHOUT INTAKE ADAPTER IN PLACE.</p>	<p>⚠ PELIGRO</p> <p>PELIGRO DE LACERACIÓN GRAVE. NO OPERE LA UNIDAD SIN EL ADAPTADOR DE ENTRADA EN SU LUGAR.</p>	<p>⚠ DANGER</p> <p>RISQUE DE LACÉRATION GRAVE. NE PAS FAIRE FONCTIONNER L'APPAREIL SI L'ADAPTEUR D'ADMISSION N'EST PAS EN PLACE.</p>
---	---	---

<p>⚠ DANGER</p> <p>SEVERE LACERATION HAZARD. UNPLUG PRODUCT AND WAIT 2-1/2 MINUTES TO ALLOW TIME FOR INTERNAL ROTATING COMPONENTS TO STOP PRIOR TO REMOVING DUST CAPS AND HOSES.</p>	<p>⚠ PELIGRO</p> <p>PELIGRO DE LACERACIÓN GRAVE. DESENCHUFE EL PRODUCTO Y ESPERE 2-1/2 MINUTOS PARA DAR TIEMPO A QUE LOS COMPONENTES GIRATORIOS INTERNOS SE DETENGAN ANTES DE RETIRAR TAPAS ANTIPOLVO Y MANGUERAS.</p>	<p>⚠ DANGER</p> <p>RISQUE DE LACÉRATION GRAVE. DÉBRANCHER LE PRODUIT ET ATTENDRE 2-1/2 MINUTES POUR PERMETTRE AUX COMPOSANTS INTERNES EN ROTATION DE S'ARRÊTER AVANT DE RETIRER LES CAPUCHONS CACHE-POUSSIÈRE ET LES FLEXIBLES.</p>
---	---	--

<p>⚠ WARNING</p> <p>FALLS CAN CAUSE SERIOUS INJURIES. DO NOT STEP OR STAND ON THIS AREA.</p>	<p>⚠ ADVERTENCIA</p> <p>LAS CAÍDAS PUEDEN CAUSAR LESIONES GRAVES. NO PISAR NI PARARSE EN ESTA ÁREA.</p>	<p>⚠ AVERTISSEMENT</p> <p>LES CHUTES PEUVENT CAUSER DE GRAVES BLESSURES. NE MARCHÉZ PAS ET NE VOUS TENEZ PAS SUR CET EMPLACEMENT.</p>
---	--	--

<p>⚠ WARNING</p> <p>SEE OWNER'S MANUAL.</p>	<p>⚠ AVERTISSEMENT</p> <p>CONSULTER LE MODE D'EMPLOI.</p>	<p>⚠ ADVERTENCIA</p> <p>CONSULTE EL MANUAL DEL USUARIO.</p>
--	--	--

<p>⚠ DANGER</p> <p>SEVERE LACERATION HAZARD. UNPLUG PRODUCT AND WAIT 2-1/2 MINUTES TO ALLOW TIME FOR INTERNAL ROTATING COMPONENTS TO STOP PRIOR TO REMOVING DUST CAPS AND HOSES.</p>	<p>⚠ PELIGRO</p> <p>PELIGRO DE LACERACIÓN GRAVE. DESENCHUFE EL PRODUCTO Y ESPERE 2-1/2 MINUTOS PARA DAR TIEMPO A QUE LOS COMPONENTES GIRATORIOS INTERNOS SE DETENGAN ANTES DE RETIRAR TAPAS ANTIPOLVO Y MANGUERAS.</p>	<p>⚠ DANGER</p> <p>RISQUE DE LACÉRATION GRAVE. DÉBRANCHER LE PRODUIT ET ATTENDRE 2-1/2 MINUTES POUR PERMETTRE AUX COMPOSANTS INTERNES EN ROTATION DE S'ARRÊTER AVANT DE RETIRER LES CAPUCHONS CACHE-POUSSIÈRE ET LES FLEXIBLES.</p>
<p>⚠ WARNING</p> <p>TO REDUCE THE RISK OF INJURY USER MUST READ THE INSTRUCTION MANUAL BEFORE OPERATING DUST COLLECTOR. ALWAYS USE PROPER EYE AND RESPIRATORY PROTECTION. SHOCK HAZARD. DO NOT EXPOSE TO RAIN OR USE IN DAMP LOCATIONS. STORE INDOORS. USE ONLY FOR DRY PICK-UP. FIRE/EXPLOSION HAZARD. DO NOT PICK UP OR USE NEAR FLAMMABLE / COMBUSTIBLE LIQUIDS. DO NOT OPERATE WITHOUT HOSE CONNECTED TO INLET PORT AND BAGS OR CANISTER IN PLACE.</p>	<p>⚠ ADVERTENCIA</p> <p>PARA REDUCIR EL RIESGO DE LESIONES, EL USUARIO DEBE LEER EL MANUAL DE INSTRUCCIONES ANTES DE OPERAR EL RECOLECTOR DE POLVO. SIEMPRE UTILICE PROTECCIÓN ADECUADA PARA LOS OJOS Y VÍAS RESPIRATORIAS. RIESGO DE DESCARGA ELÉCTRICA. NO EXPONGA A LA LLUVIA NI UTILICE EN LUGARES HÚMEDOS. GUARDE BAJO TECHO. SÓLO UTILÍCELO PARA RECOGER RESIDUOS SECOS. NO RECOJA NI UTILICE CERCA DE LÍQUIDOS INFLAMABLES O COMBUSTIBLES. NO OPERE SI LA MANGUERA NO ESTÁ CONECTADA AL ORIFICIO DE ENTRADA O LAS BOLSAS Y LOS DEPÓSITOS NO SE ENCUENTRAN EN SU LUGAR.</p>	<p>⚠ AVERTISSEMENT</p> <p>L'UTILISATEUR DOIT LIRE LE MODE D'EMPLOI AVANT D'UTILISER LE DÉPOUSSEUR AFIN DE RÉDUIRE LE RISQUE DE BLESSURE. TOUJOURS UTILISER UNE PROTECTION OCULAIRE ET RESPIRATOIRE ADEQUATE. RISQUE D'ÉLECTROCUTION. NE PAS EXPOSER L'APPAREIL À LA PLUIE NI L'UTILISER DANS UN ENDROIT HUMIDE. LE RANGER À L'INTÉRIEUR, CONÇU UNIQUEMENT POUR LE RAMASSAGE DE MATIÈRES SÈCHES. NE PAS ASPIRER DE LIQUIDES INFLAMMABLES OU COMBUSTIBLES OU UTILISER LE DÉPOUSSEUR PRÈS DE CEUX-CI. NE PAS FAIRE FONCTIONNER SI LE TUYAU N'EST PAS CONNECTÉ À L'ORIFICE D'ADMISSION ET SI LES SACS OU L'ABSORBEUR NE SONT PAS EN PLACE.</p>
<p>⚠ CAUTION</p> <p>COLLECT WOOD MATERIALS ONLY. NEVER USE THE COLLECTOR TO PICK UP METAL SHAVINGS, DUST, OR PARTS.</p>	<p>⚠ PRECAUCIÓN</p> <p>RECOJA MATERIALES DE MADERA SOLAMENTE. NUNCA UTILICE EL RECOLECTOR PARA RECOGER RECORTES, POLVO O PIEZAS DE METAL.</p>	<p>⚠ ATTENTION</p> <p>ASPIRER UNIQUEMENT DES MATIÈRES EN BOIS. NE JAMAIS UTILISER LE DÉPOUSSEUR POUR L'ASPIRATION DE COPEAUX, POUSSIÈRES OU MORCEAUX DE MÉTAUX.</p>

MANTENIMIENTO Y REPARACIONES

Con el paso del tiempo, todas las herramientas de calidad requieren mantenimiento o reemplazo de las piezas. Para obtener información acerca de DELTA Machinery y sus sucursales o para localizar un centro de mantenimiento con garantía autorizado, visite nuestro sitio Web en www.deltaportercable.com o llame a End User Services (Servicios para el usuario final) al (800) 223-7278. Todas las reparaciones realizadas en nuestros centros de mantenimiento están completamente garantizadas en relación con los materiales defectuosos y la mano de obra. No podemos otorgar garantías en relación con las reparaciones ni los intentos de reparación de otras personas. Si llama a este número, también encontrará las respuestas a las preguntas más frecuentes durante las 24 horas del día.

Asimismo, para obtener información puede escribirnos a DELTA Machinery, 4825 Highway 45 North, Jackson, Tennessee 38305 - Attention: End User Services. Asegúrese de incluir toda la información mencionada en la placa de la herramienta (número de modelo, tipo, número de serie, código de fecha, etc.)

ACCESORIOS

▲ ADVERTENCIA: Puesto que los accesorios con excepción de éstos ofrecidos por DELTA no se han probado con este producto, el uso de tales accesorios podría ser peligroso. Para reducir el riesgo de lesiones, solamente el DELTA recomendó los accesorios se debe utilizar con este producto.

Una línea completa de accesorios está disponible de su surtidor de DELTA, centros de servicio de la fábrica de DELTA, y estaciones autorizadas DELTA. Visite por favor nuestro Web site www.deltaportercable.com para un catálogo o para el nombre de su surtidor más cercano.

PÓLIZA DE GARANTÍA

IDENTIFICACIÓN DEL PRODUCTO:

Sello o firma del Distribuidor.Nombre del producto: _____ Mod./Cat.: _____
Marca: _____ Núm. de serie: _____ (Datos para ser llenados por el distribuidor)Fecha de compra y/o entrega del producto: _____
Nombre y domicilio del distribuidor donde se adquirió el producto: _____

Este producto está garantizado por tres años de garantía limitada a partir de la fecha de entrega, contra cualquier defecto en su funcionamiento, así como en materiales y mano de obra empleados para su fabricación. Nuestra garantía incluye la reparación o reposición del producto y/o componentes sin cargo alguno para el cliente, incluyendo mano de obra, así como los gastos de transportación razonablemente erogados derivados del cumplimiento de este certificado. Para hacer efectiva esta garantía deberá presentar su herramienta y esta póliza sellada por el establecimiento comercial donde se adquirió el producto, de no contar con ésta, bastará la factura de compra.

EXCEPCIONES

Esta garantía no será válida en los siguientes casos:

- Cuando el producto se hubiese utilizado en condiciones distintas a las normales;
 - Cuando el producto no hubiese sido operado de acuerdo con el instructivo de uso que se acompaña;
 - Cuando el producto hubiese sido alterado o reparado por personas distintas a las enlistadas al final de este certificado.
- Anexo encontrará una relación de sucursales de servicio de fábrica, centros de servicio autorizados y franquiciados en la República Mexicana, donde podrá hacer efectiva su garantía y adquirir partes, refacciones y accesorios originales.

PARA REPARACIÓN Y SERVICIO DE SUS HERRAMIENTAS ELÉCTRICAS, FAVOR DE DIRIGIRSE AL CENTRO DE SERVICIO MÁS CERCANO

CULIACAN, SIN Blvd. Emiliano Zapata 5400-1 Poniente Col. San Rafael	(667) 717 89 99
GUADALAJARA, JAL Av. La Paz #1779 - Col. Americana Sector Juárez	(33) 3825 6978
MEXICO, D.F. Eje Central Lázaro Cárdenas No. 18 Local D, Col. Obrera	(55) 5588 9377
MERIDA, YUC Calle 63 #459-A - Col. Centro	(999) 928 5038
MONTERREY, N.L. Av. Francisco I. Madero 831 Poniente - Col. Centro	(818) 375 23 13
PUEBLA, PUE 17 Norte #205 - Col. Centro	(222) 246 3714
QUERETARO, QRO Av. San Roque 274 - Col. San Gregorio	(442) 2 17 63 14
SAN LUIS POTOSI, SLP Av. Universidad 1525 - Col. San Luis	(444) 814 2383
TORREON, COAH Blvd. Independencia, 96 Pte. - Col. Centro	(871) 716 5265
VERACRUZ, VER Prolongación Díaz Mirón #4280 - Col. Remes	(229) 921 7016
VILLAHERMOSA, TAB Constitución 516-A - Col. Centro	(993) 312 5111

PARA OTRAS LOCALIDADES:

Si se encuentra en México, por favor llame al (55) 5326 7100

Si se encuentra en U.S., por favor llame al

(800) 223-7278

GARANTIA

Para registrar la herramienta para obtener el mantenimiento cubierto por la garantía de la herramienta, visite nuestro sitio web en www.deltaportercable.com.

Garantía limitada de cinco años para productos nuevos

DELTA reparará o reemplazará, a expensas y opción propias, cualquier máquina nueva, pieza de máquina nueva o accesorio de máquina nuevo DELTA que durante el uso normal haya presentado defectos de fabricación o de material, siempre que el cliente devuelva el producto con el transporte prepago a un centro de servicio de fábrica DELTA o una estación de servicio autorizado DELTA, con un comprobante de compra del producto, dentro del plazo de cinco años y dé a DELTA una oportunidad razonable de verificar el supuesto defecto mediante la realización de una inspección. Para todos los productos DELTA reacondicionados, el período de garantía es de 180 días. DELTA no será responsable de ningún defecto alegado que haya resultado del desgaste normal, uso indebido, abuso o reparación o alteración realizada o autorizada específicamente por alguien que no sea un centro de servicio autorizado DELTA o un representante autorizado DELTA. DELTA no será responsable en ninguna circunstancia de los daños incidentales o emergentes que se produzcan como resultado de productos defectuosos. Algunos estados no permiten la exclusión o limitación de los daños incidentales o resultantes, por lo que la limitación o exclusión anterior puede no aplicarse a usted. Esta garantía es la única garantía de DELTA y establece el recurso exclusivo del cliente en lo que respecta a los productos defectuosos; DELTA rechaza expresamente todas las demás garantías, expresas o implícitas, tanto de comerciabilidad como de idoneidad para un propósito o de cualquier otro tipo. Para mayores detalles sobre la cobertura de la garantía e información acerca de reparaciones realizadas bajo garantía, visítenos en www.deltaportercable.com o diríjase al centro de servicio más cercano (800) 223-7278. Esta garantía no aplica a accesorios o a daños causados por reparaciones realizadas o intentadas por terceros. Esta garantía le otorga derechos legales específicos, además de los cuales puede tener otros dependiendo del estado o provincia en que se encuentre.

AMÉRICA LATINA: Esta garantía no se aplica a los productos que se venden en América Latina. Para los productos que se venden en América Latina, debe consultar la información de la garantía específica del país que viene en el empaque, llamar a la compañía local o visitar el sitio Web a fin de obtener esa información.

ESPECIFICACIONES

MODEL 50-786

Tensión de alimentación:	120/240 V AC~
Consumo de corriente:	12/6A
Frecuencia de operación:	60 Hz
Rotación sin carga:	3 450 rpm

SOLAMENTE PARA PROPÓSITO DE MÉXICO:
IMPORTADO POR: DELTA S.A. DE C.V.
BOSQUES DE CIDROS, ACCESO RADIATAS NO.42
3A. SECCIÓN DE BOSQUES DE LAS LOMAS
DELEGACIÓN CUAJIMALPA,
05120, MÉXICO, D.F.
TEL. (52) 555-326-7100
R.F.C.: BDE810626-1W7

Para servicio y ventas consulte
"HERRAMIENTAS ELECTRICAS"
en la sección amarilla.







The following are trademarks for one or more Porter-Cable and DELTA products: • Les marques suivantes sont des marques de commerce se rapportant à un ou plusieurs produits Porter-Cable ou DELTA : • Las siguientes son marcas comerciales para uno o más productos de Porter-Cable y DELTA:

2 BY 4®, 890™, Air America®, AIRBOSS™, Auto-Set®, B.O.S.S.®, Bammer®, Biesemeyer®, Builders Saw®, Charge Air®, Charge Air Pro®, CONTRACTOR SUPERDUTY®, Contractor's Saw®, Delta®, DELTA®, DELTA Industrial®, DELTA MACHINERY & DESIGN™, DELTA Shopmaster and Design®, DELTA X5®, Deltacraft®, DELTAGRAM®, Do It. Feel It.®, DUAL LASERLOC AND DESIGN®, EASY AIR®, EASY AIR TO GO™, ENDURADIAMOND®, Ex-Cell®, Front Bevel Lock®, Get Yours While the Sun Shines®, Grip to Fit®, GRIPVAC™, GTF®, HICKORY WOODWORKING®, Homecraft®, HP FRAMER HIGH PRESSURE®, IMPACT SERIES™, Innovation That Works®, Jet-Lock®, Job Boss®, Kickstand®, LASERLOC®, LONG-LASTING WORK LIFE®, MAX FORCE™, MAX LIFE®, Micro-Set®, Midi-Lathe®, Monsoon®, MONSTER-CARBIDE™, Network®, OLDHAM®, Omnijig®, PC EDGE®, Performance Crew™, Performance Gear®, Pocket Cutter®, Porta-Band®, Porta-Plane®, Porter Cable®, Porter-Cable Professional Power Tools®, Powerback®, POZI-STOP™, Pressure Wave®, PRO 4000®, Proair®, Quicksand and Design®, Quickset II®, QUIET DRIVE TECHNOLOGY™, QUIET DRIVE TECHNOLOGY AND DESIGN™, Quik-Change®, QUIK-TILT®, RAPID-RELEASE™, RAZOR®, Redefining Performance®, Riptide®, Safe Guard II®, Sand Trap and Design®, Sanding Center®, Saw Boss®, Shop Boss®, Sidekick®, Site Boss®, Speed-Bloc®, Speedmatic®, Stair Ease®, Steel Driver Series®, SUPERDUTY®, T4 & DESIGN®, THE AMERICAN WOODSHOP®, THE PROFESSIONAL EDGE®, Thin-Line®, Tiger Saw®, TIGERCLAW®, TIGERCLAW AND DESIGN®, Torq-Buster®, TRU-MATCH®, T-Square®, Twinlaser®, Unifence®, Uniguard®, UNIRIP®, UNISAW®, UNITED STATES SAW®, Veri-Set®, Versa-Feeder®, VIPER®, VT™, VT RAZOR™, Water Driver®, WATER VROOM®, Waveform®, Whisper Series®, X5®, YOUR ACHIEVEMENT. OUR TOOLS.®

Trademarks noted with ® are registered in the United States Patent and Trademark Office and may also be registered in other countries. Other trademarks may apply. • Les marques de commerce suivies du symbole ® sont enregistrées auprès du United States Patent and Trademark Office et peuvent être enregistrées dans d'autres pays. D'autres marques de commerce peuvent également être applicables. • Las marcas comerciales con el símbolo ® están registradas en la Oficina de patentes y marcas comerciales de Estados Unidos (United States Patent and Trademark Office), y también pueden estar registradas en otros países. Posiblemente se apliquen otras marcas comerciales registradas.



DELTA Machinery, 4825 Highway 45 North, Jackson, TN 38302-2468
(800) 223-7278 - U.S. • (800) 463-3582 - CANADA

www.deltaportercable.com

Copyright © 2010 DELTA Machinery • N060044 AUGUST2010